

# T-LOCK PLATEN KIT INSTRUCTIONS

## Items Needed for Installing T-Lock Platen Kit:

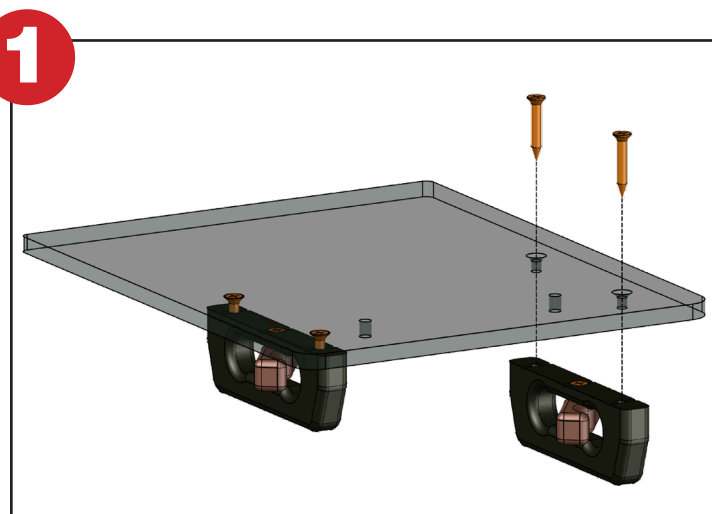
### T-Lock Platen Complete Kit - #TLOCKKIT

Includes Metal T-Lock Base with Pins, Youth Platen Insert, Baby Platen Insert, H-Based Platen Insert, Two Square Platen Inserts, Long Sleeve Platen Insert, Zipper Platen Inserts, Polo Inserts and Accessories Kit.



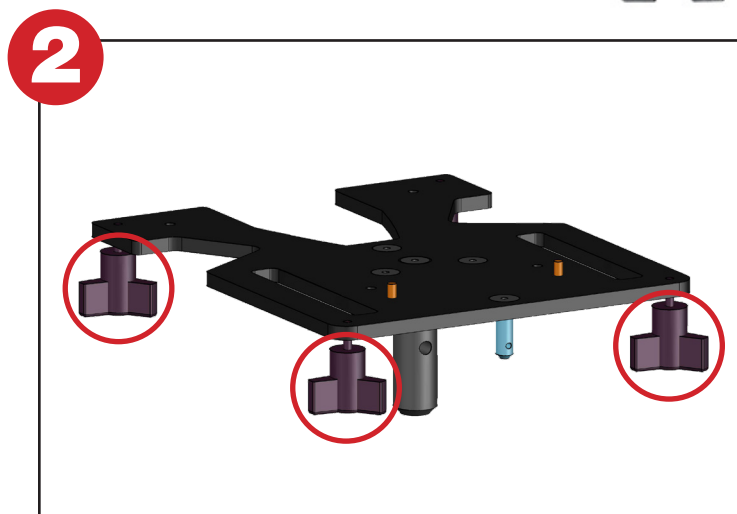
## Instructions for installing the T-Lock Platen Kit:

Below are instructions for installing the T-Lock Platen Complete Kit.



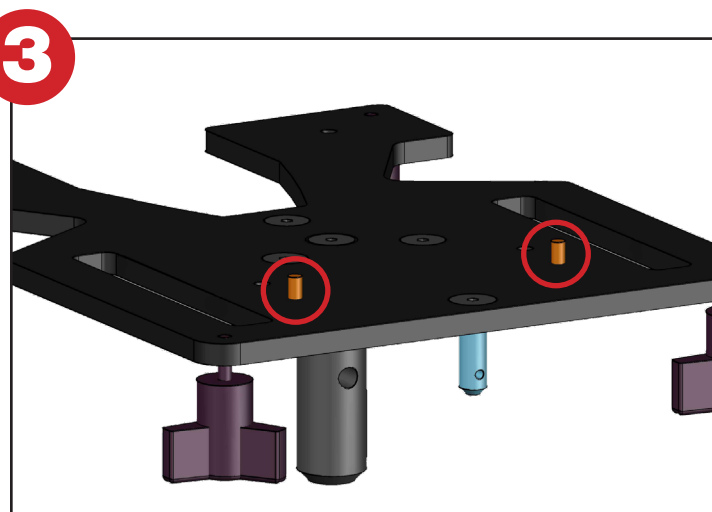
### Step 1:

Hold the platen insert with counter sunk holes face up, place T-Lock bracket under two counter sunk holes and use two (2) of included screws to attach T-Lock bracket. Attach the second bracket in the same manner.



### Step 2:

Screw in the four (4) micro leveling pins underneath the T-Lock Base. The tips of the leveling pins should be below the top of the platen unless the insert is not level.



### Step 3:

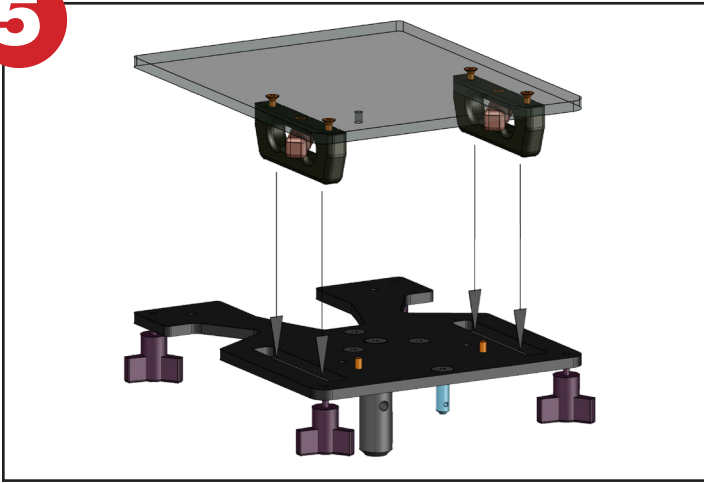
Screw in the two (2) platen registration bolts into the top of the T-Lock Base.



### Step 4:

Insert the T-Lock Base into the platen stem of the Brother DTG printer. Adjust the height of the platen to the desired position and tighten the locking lever.

5



**Step 5:**

Install the desired Platen Insert so T-Lock brackets slide into the slots in T-Lock Base.

6



**Step 6:**

Secure the Platen Insert by rotating the center piece in the T-Lock brackets.

**Click or Scan Below to View the T-Lock Kit Overview Video**

**Click or Scan Below to View the GTX T-Lock Assembly Video**

**Video**



**T-Lock Kit Overview Video**

This video shows at a glance how to install and use all of the inserts included in the T-Lock kit.

**Video**



**GTX T-Lock Assembly Video**

Learn how to assemble the T-Lock base.