

T-LOCK PLATEN BASE INSTRUCTIONS

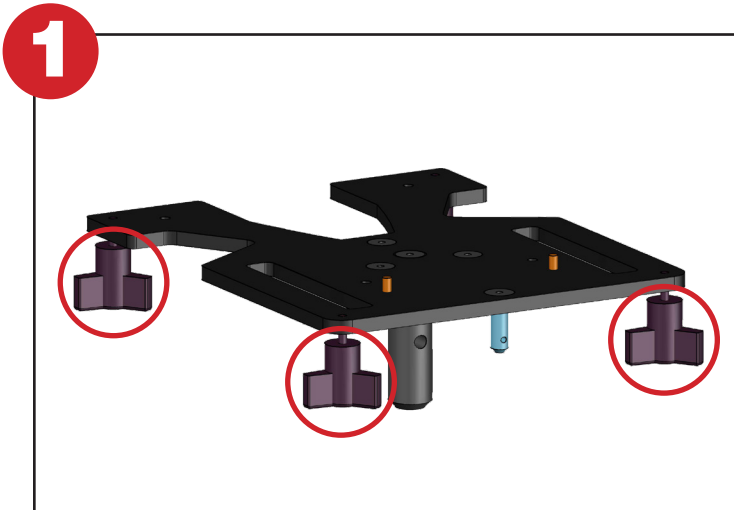
Items Needed for Installing T-Lock Platen Base:

TLOCK PLATEN BASE NO INSERTS FOR GT PRNT - #TLOCKBASE

Includes Metal T-Lock Base

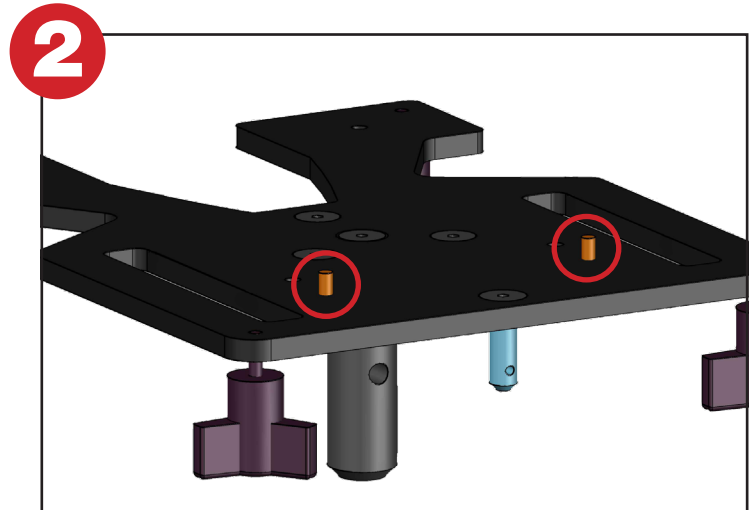
Instructions for installing the T-Lock Platen Base:

Below are instructions for installing the T-Lock Platen Base.



Step 1:

Screw in the four (4) micro leveling pins underneath the T-Lock Base. The tips of the leveling pins should be below the top of the platen unless the insert is not level.



Step 2:

Screw in the two (2) platen registration bolts into the top of the T-Lock Base.



Step 3:

Insert the T-Lock Base into the platen stem of the Brother DTG printer. Adjust the height of the platen to the desired position and tighten the locking lever.

Click or Scan Below to View the GTX T-Lock Assembly Video

Video



GTX T-Lock Assembly Video

Learn how to assemble the T-Lock base.