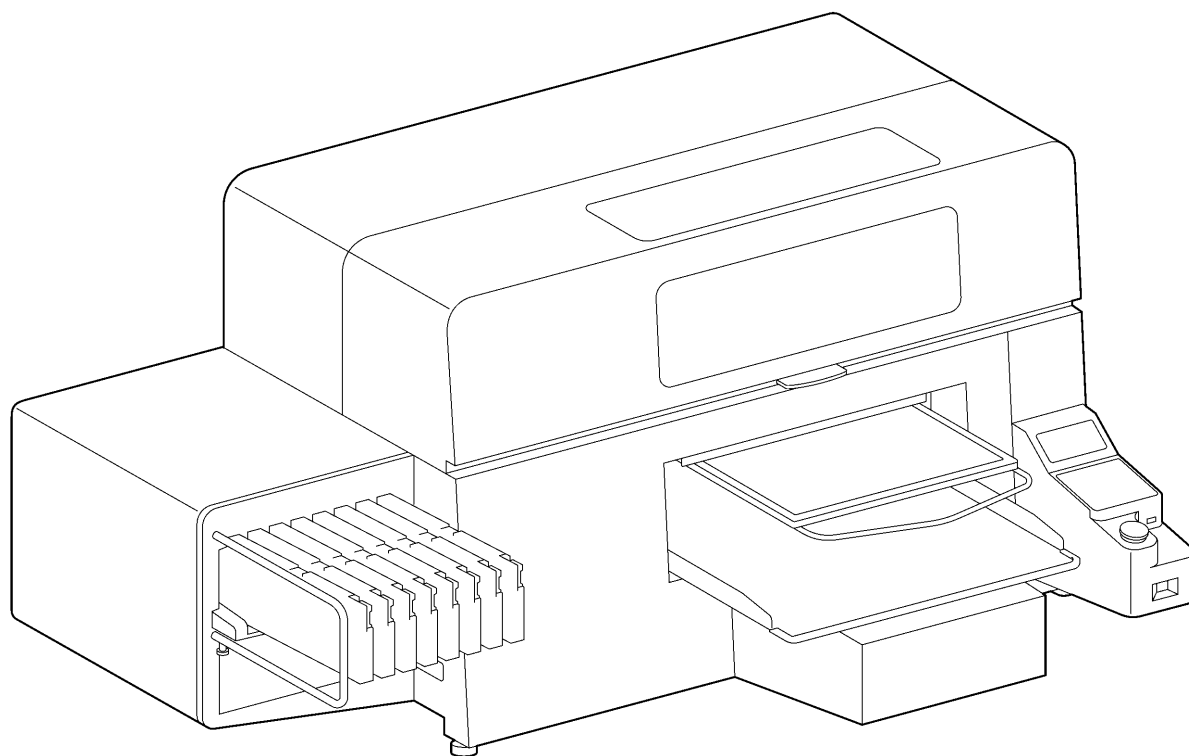


GT-3 Series

Basic Operation Manual

Please read this manual before using the printer.
Please keep this manual within easy reach for quick reference.

GARMENT PRINTER



brother

GT Series US support homepage <http://www.brother-usa.com/Garmentprinters/>

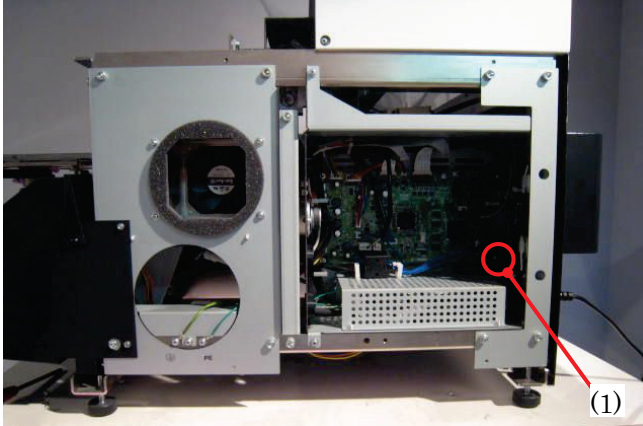
When you dispose of the machine

Required Tools

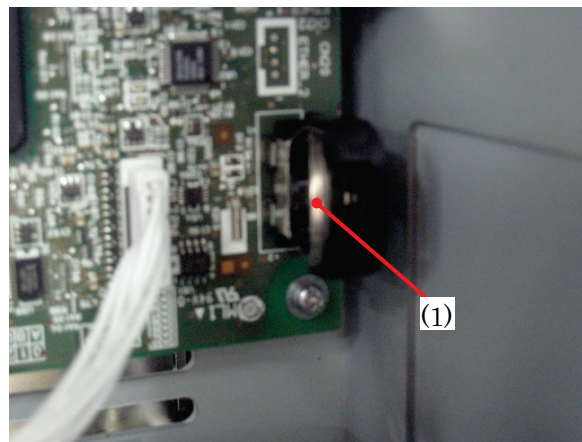
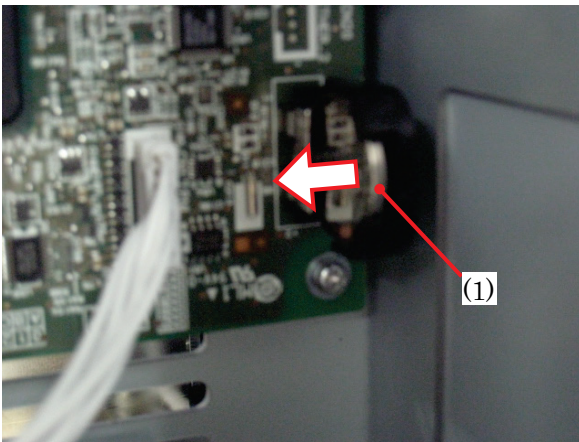
Phillips screwdriver: M3 to M5

Disassembling

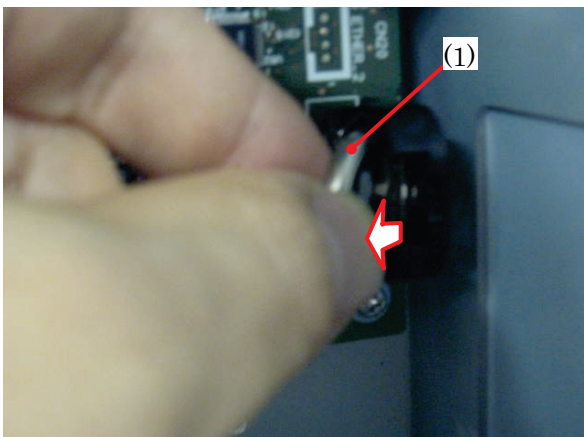
1. Remove the Cover DR (right side).



2. Remove the Lithium Battery (1) by pulling out the holder in the direction of the arrow.



3. Pickup the Lithium Battery (1) to the direction of the arrow.



Note based on California law (USA) on the use and handling of Perchlorate

This product contains a CR Coin Lithium Battery which contains Perchlorate Material – special handling may apply.

See <http://www.dtsc.ca.gov/hazardouswaste/perchlorate>.




Thank you very much for buying a BROTHER printer. Before using your new printer, please read the safety instructions below and the explanations given in the instruction manual.

SAFETY INSTRUCTIONS


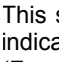

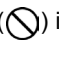


[1] Safety indications and their meanings

This instruction manual and the indications and symbols that are used on the printer itself are provided in order to ensure safe operation of this printer and to prevent accidents and injury to yourself or other people. The meanings of these indications and symbols are given below.



Indications




 DANGER	The instructions which follow this term indicate situations where failure to follow the instructions will result in death or serious injury.
 WARNING	The instructions which follow this term indicate situations where failure to follow the instructions could result in death or serious injury.
 CAUTION	The instructions which follow this term indicate situations where failure to follow the instructions may result in minor or moderate injury.

Symbols

-  This symbol () indicates something that you should be careful of. The picture inside the triangle indicates the nature of the caution that must be taken. (For example, the symbol at left means “beware of injury”.)
-  This symbol () indicates something that you must not do.
-  This symbol () indicates something that you must do. The picture inside the circle indicates the nature of the thing that must be done. (For example, the symbol at left means “you must make the ground connection”.)

[2] Notes on safety

 DANGER	
	Wait at least 5 minutes after turning off the power switch and disconnecting the power cord from the wall outlet before opening the right side cover. Do not touch the high-voltage area in the control box as high voltage can result in severe injury.

 WARNING	
Basic precautions	
 To prevent accidents and problems, do not modify the machine yourself. Brother will not be held responsible for any accidents or problems resulting from modifications made to the machine.	 Do not handle the power cord with wet hands, otherwise it may cause electric shocks.

WARNING

Installation



Do not set up the printer in a dusty environment. If dust collects inside the printer, it may cause fire or electric shocks or problems with correct operation.



Do not bend the cords excessively or fasten them too hard with staples or anything similar to secure cords, otherwise there is the danger that fire or electric shocks could occur.



Be sure to connect the ground. If the ground connection is not secure, you run a high risk of receiving a serious electric shock, and problems with correct operation may also occur.

Printing



If a foreign object gets inside the printer, immediately turn off the power switch and disconnect the power cord, and arrange for a service call to resolve.



If you continue to use the printer while there is a foreign object inside, it may result in fire or electric shocks or problems with correct operation.



Do not allow the printer to come into contact with liquids, otherwise it may cause fire or electric shocks or problems with correct operation.



If any liquid gets inside the printer, immediately turn off the power switch and disconnect the power cord.



Contact Brother to arrange a service call to resolve.



Do not use the printer when smoke or a bad odor coming from the printer, otherwise it may cause fire or electric shocks or problems with correct operation.



Immediately turn off the power switch and disconnect the power cord, and arrange for a service call to resolve.

CAUTION

Environmental requirements



Use the printer in an area which is free from sources of strong electrical noise such as electrical line noise or static electric noise.

Sources of strong electrical noise may cause problems with correct operation.



Any fluctuations in the power supply voltage should be within $\pm 10\%$ of the rated voltage for the printer. Voltage fluctuations which are greater than this may cause problems with correct operation.



The power supply capacity should be greater than the requirements for the printer's power consumption.

Insufficient power supply capacity may cause problems with correct operation.



The ambient temperature should be within the range of 18°C to 30°C during use.

Temperatures which are lower or higher than this may cause problems with correct operation.



The relative humidity should be within the range of 45% to 85% during use, and no dew formation should occur in any devices.

Excessively dry or humid environments and dew formation may cause problems with correct operation.



Use the printer in a place which is adequately ventilated.

A slight odor is generated when the printed articles are being fixed by heat.










In the event of an electrical storm, turn off the power and disconnect the power cord from the wall outlet.







Lightning may cause problems with correct operation.

CAUTION








Installation

-  Setting up and moving of the printer should only be carried out by a qualified technician.
-  The printer machine weighs approximately 111 kg (245 lb). Transporting and setting up of the printer should be held in proper way.
-  The machine may fall down and cause injury.
-  The printer must be used on a suitable stable surface, otherwise it may tip over or fall down and cause injury.
Furthermore, the table that supports the printer should be at least 137 cm (53.9 inch) in width and 104.5 cm (41.1 inch) in depth, and should be able to bear a weight of 150 kg (330 lb) or more.
-  Do not set up the printer in a place where it will be affected by vibration. It may become unbalanced and fall down, which cause injury or damage to the printer.
-  Do not connect the power cord until setup is complete, otherwise the printer may operate if the power switch is turned on by mistake, which could result in injury.
-  Do not climb onto the printer or place heavy objects on top of it, otherwise it may become unbalanced and tip over or fall down and cause injury.

Printing

-  This printer should only be used by operators who are appropriately trained in its operation.
-  Ensure there is adequate space left for safe working. The Platen moves forward while operating and it may be injured.
-  Do not handle the platen while printing. If your hand gets caught between the platen or the T-shirt tray and the covers, it may be injured.
-  Do not move the Platen by hand.
The Printer may be mechanically and electrically damaged.
-  Do not put your hands inside the covers while the printer's power is turned on, otherwise your hands may touch against moving parts and this may result in injury.
-  When a problem occurs with the operation of the printer, contact the place of purchase or a qualified technician.

Maintenance

-  Wait at least 1 minute after turning off the power switch before opening the front cover.
Do not touch the head heat sink as it may be HOT and may cause a burn.
-  Be careful not to get your fingers caught when closing the front cover, otherwise it may result in injury to your fingers.
-  Do not move the Platen by hand.
The Printer may be mechanically and electrically damaged.
-  Do not disassemble the ink cartridge.
-  Take care not to let the liquids: Ink, Wash Liquid, Maintenance Solution, Pretreatment or waste liquid come into contact with your eyes or onto your skin, otherwise inflammation can result. In case of contact with eyes, do not rub but immediately rinse the eyes with water.
Furthermore, do not drink the liquids: Ink, Wash Liquid, Maintenance Solution, Pretreatment or waste liquid under any circumstances, as they can cause vomiting and diarrhea.
Keep the liquids out of the reach of children.
-  Be sure to wear protective goggles and gloves when handling the grease, so that they do not get into your eyes or onto your skin. If the grease get into your eyes or onto your skin, inflammation can result. Furthermore, do not drink or eat the grease. They may cause diarrhea or vomiting.
Keep the grease out of the reach of children.
-  When replacing parts and installing optional accessories, be sure to use only genuine Brother parts.
Brother will not be held responsible for any accidents or problems resulting from the use of non-genuine parts.

[3] Warning labels

The following warning labels appear on the printer.

Please follow the instructions on the labels at all times when using the printer. If the labels have been removed or are difficult to read, please contact your nearest Brother dealer.

1

	▲ 危険 ▲ 危険 高電圧部分にふれて、大けがをすることがある。電源を切り、5分たつてからカバーをはずすこと。 接触高電圧部分、会导致受伤。在切断电源5分钟后、再开启盖罩。
▲ DANGER Hazardous voltage will cause injury. Turn off main switch and wait 5 minutes before opening this cover.	▲ GEFAHR ▲ PELIGRO Hochspannung verletzungsgefahr! Bitte schalten sie den hauptschalter aus und warten sie 5 minuten, bevor sie diese abdeckung öffnen. Un voltage inadecuado puede provocar las heridas. Apagar el interruptor principal y esperar 5 minutos antes de abrir esta cubierta.

2

	▲ WARNING Hazardous moving parts. Keep fingers and other body parts away.
--	---

3

	▲ 注意 プラテンやTシャツトレイと各カバーとの間に手をはさみ、けがをする。印刷中はプラテンから手を離すこと。 手先在压板、T恤托盘和各覆盖之间会导致受伤。打印中请将手离开压板。 Moving platen, T-shirt tray and covers can cause bodily injury. Keep hands off platen while printing.
	▲ CAUTION Druckplatte, T-Shirt-Ablage und Abdeckungen können körperliche Verletzungen verursachen. Halten Sie die Hände von der Auflage während des Druckvorganges fern. Déplacement du plateau, chargeur T-shirt et couvercle peut blesser le corps. Garder les mains éloignées lors de l'impression.
	▲ ACHTUNG Moviendo la placa, la bandeja de camiseta y las cubiertas pueden causar una herida personal. Retire las manos de la placa durante la impresión.
	▲ ATTENZIONE Tavoletta mobile, il ripiano per la T-shirt ed il carter potrebbero causare infortuni. Tenere le mani lontane dalla tavoletta durante la stampa.

4

▲ 注意 下痢・おう吐する可能性がある。インクなどの液体類を飲まないこと。炎症を起こす可能性がある。インクなどの液体類が目や皮膚に付かないようにすること。子供の手の届かないところに置くこと。
▲ 注意 有可能导致腹泻、呕吐。请勿饮用油墨等液体类。有可能引发炎症。注意油墨等液体类不要飞溅到眼中或皮肤上。请放置在儿童无法触及的地方。
▲ CAUTION Do not drink the liquids under any circumstances, as they can cause vomiting and diarrhea. Take care not to let the liquids come into contact with your eyes or onto your skin, otherwise inflammation can result. Keep the liquids out of the reach of children.
▲ ACHTUNG Bitte trinken Sie nicht die Flüssigkeiten, da die Gefahr von Erbrechen und Durchfall besteht. Vermeiden Sie den Kontakt der Flüssigkeiten mit Augen und Haut, sonst können diese gereizt werden. Halten Sie die Flüssigkeiten von Kindern fern.
▲ ATTENTION Ne pas avaler les liquides d'aucune manière, car ceci pourrait entraîner vomissements et diarrhée. Veuillez à ne pas laisser ces liquides être en contact avec les yeux ou la peau, car ceci pourrait entraîner une inflammation. Maintenez les liquides hors de portée des enfants.
▲ ATENCION No tome los líquidos en cualquier caso, como pueden causar vomitar y diarrea. Tome el cuidado para no permitir que los líquidos toquen los ojos ni en la piel, de otro modo inflamación puede resultar. Mantenga los líquidos fuera del alcance de niños.
▲ ATTENZIONE Non bere per nessun motivo i liquidi poiché possono causare vomito e diarrea. Evitare il contatto di questi liquidi con gli occhi e con la pelle poiché potrebbero creare infiammazioni. Conservare i liquidi lontano dalla portata dei bambini.
<ul style="list-style-type: none"> ■ 地域の法令に定めて廃棄してください。 ■ 取扱当地法律遵守。 ■ Deposito in compliance with your local regulations. ■ Gebrauchte es gemäß örtlichen Richtlinien entsorgen. ■ Jetez conformément à la réglementation locale en vigueur. ■ Deseche siguiendo la normativa local. ■ Smaltire in conformità alle normative locali.

5

▲ 注意 下痢・おう吐する可能性がある。インクなどの液体類を飲まないこと。炎症を起こす可能性がある。インクなどの液体類が目や皮膚に付かないようにすること。子供の手の届かないところに置くこと。
▲ 注意 有可能导致腹泻、呕吐。请勿饮用油墨等液体类。有可能引发炎症。注意油墨等液体类不要飞溅到眼中或皮肤上。请放置在儿童无法触及的地方。
▲ CAUTION Do not drink the liquids under any circumstances, as they can cause vomiting and diarrhea. Take care not to let the liquids come into contact with your eyes or onto your skin, otherwise inflammation can result. Keep the liquids out of the reach of children.
▲ ACHTUNG Bitte trinken Sie nicht die Flüssigkeiten, da die Gefahr von Erbrechen und Durchfall besteht. Vermeiden Sie den Kontakt der Flüssigkeiten mit Augen und Haut, sonst können diese gereizt werden. Halten Sie die Flüssigkeiten von Kindern fern.
▲ ATTENTION Ne pas avaler les liquides d'aucune manière, car ceci pourrait entraîner vomissements et diarrhée. Veuillez à ne pas laisser ces liquides être en contact avec les yeux ou la peau, car ceci pourrait entraîner une inflammation. Maintenez les liquides hors de portée des enfants.
▲ ATENCION No tome los líquidos en cualquier caso, como pueden causar vomitar y diarrea. Tome el cuidado para no permitir que los líquidos toquen los ojos ni en la piel, de otro modo inflamación puede resultar. Mantenga los líquidos fuera del alcance de niños.
▲ ATTENZIONE Non bere per nessun motivo i liquidi poiché possono causare vomito e diarrea. Evitare il contatto di questi liquidi con gli occhi e con la pelle poiché potrebbero creare infiammazioni. Conservare i liquidi lontano dalla portata dei bambini.

6 **brother** ワッシュ液 / 清洗液 / Wash Liquid
Reinigungsflüssig / Liquide nettoyage
Liquido de lavar / Liquido detergente

▲ 注意 「洗剤」が目を刺激する可能性があります。目を洗ってください。目を洗った後、目を閉じてください。目を洗った後、目を閉じてください。目を洗った後、目を閉じてください。
▲ 注意 有可能导致眼刺激。请勿将洗剂弄入眼睛。如果洗剂弄入眼睛，请立即用清水冲洗。如果洗剂弄入眼睛，请立即用清水冲洗。如果洗剂弄入眼睛，请立即用清水冲洗。
▲ CAUTION Do not drink the liquid, it can cause vomiting and diarrhea. Do not let the liquid come into contact with your eyes or onto your skin, inflammation can result. In case of contact with eyes, do not rub. Immediately rinse the area with water.
▲ ACHTUNG Bitte trinken Sie nicht die Flüssigkeiten, da die Gefahr von Erbrechen und Durchfall besteht. Vermeiden Sie den Kontakt der Flüssigkeiten mit Augen und Haut, sonst können diese gereizt werden. Halten Sie die Flüssigkeiten von Kindern fern.
▲ ATTENTION Ne pas avaler le liquide, il peut provoquer vomissements et diarrhée. Evitez le contact de ce liquide avec les yeux et la peau, une inflammation est risquée. En cas de contact avec les yeux, ne frottez pas. Rincez immédiatement l'œil avec de l'eau.
▲ ATENCION No tome el líquido, puede causar vomitar y diarrea. Evite el contacto con los ojos y la piel, no frote. Mantenga los líquidos fuera del alcance de niños.
▲ ATTENZIONE Non bere per nessun motivo i liquidi poiché possono causare vomito e diarrea. Evitare il contatto di questi liquidi con gli occhi e con la pelle poiché potrebbero creare infiammazioni. Conservare i liquidi lontano dalla portata dei bambini.

LDPE

7

	▲ ACHTUNG Niemals auf den Drucker steigen.
▲ 注意 本体の上に乗らないこと。	▲ ATTENTION Ne montez pas sur l'imprimante.
▲ 注意 請勿放在主体上面。	▲ ATENCION No se suba encima de la impresora.
▲ CAUTION Do not climb onto the printer.	▲ ATTENZIONE Non salire sulla stampante.

8 **brother**

グリース 油脂 GREASE	▲ 注意 目に入った場合は、目を洗い、目を洗った後、目を閉じてください。目を洗った後、目を閉じてください。目を洗った後、目を閉じてください。	▲ 注意 如果油脂入眼或接触到皮肤上，有可能引起炎症。立即用清水冲洗。如果油脂入眼或接触到皮肤上，有可能引起炎症。立即用清水冲洗。如果油脂入眼或接触到皮肤上，有可能引起炎症。立即用清水冲洗。	▲ CAUTION Lubricating grease may cause inflammation to eye and skin. Wear protective glasses and gloves. Swallowing grease can cause diarrhoea and vomiting. Do not swallow.
----------------------	--	---	--

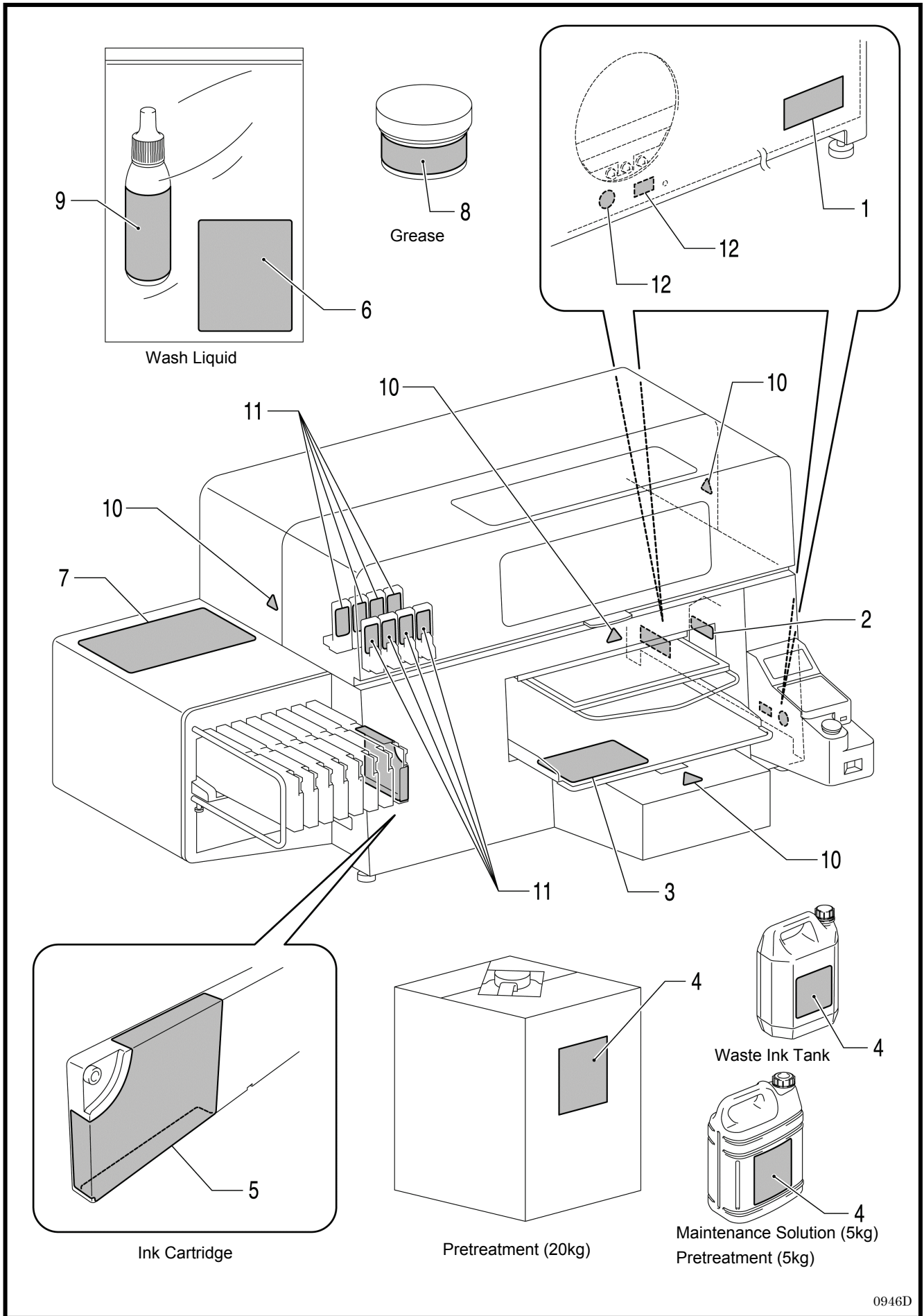
9 **brother**

▲ 注意 目に入れないこと。
▲ 注意 不能进入眼中。
▲ CAUTION Do not let liquid in your eyes.
▲ ACHTUNG Vermeiden Sie den Kontakt der Flüssigkeiten mit Ihren Augen.
▲ ATTENTION Ne pas mettre en contact avec les yeux.
▲ ATENCION No permita líquido en los ojos.
▲ ATTENZIONE Non lasciare il liquido a contatto con gli occhi.

10 Watch your fingers, or you may be injured.

11 High temperature warning display

12 PE
Be sure to connect the ground. If the ground connection is not secure, you run a high risk of receiving a serious electric shock, and problems with correct operation may also occur.



CONTENTS

1. Read This First	1
1-1. Precautions	1
1-2. Unpacking Your Printer	5
1-3. Required Condition	5
1-3-1. Environment	5
1-3-2. Electrical Requirements	6
1-3-3. Software Information	6
1-3-4. Other Requirements	6
1-3-5. Consumable Requirements and Options	7
2. Identifying Your Printer's Parts	8
2-1. Front	8
2-2. Right	9
2-3. Rear	10
2-4. Inside of the Front Cover	11
2-5. Upper part of the Maintenance Unit	12
2-6. Under the Platen	13
2-7. Control Panel	14
2-7-1. Display	15
2-7-2. Menu List	16
3. Getting Started	18
3-1. Placing Your Printer	19
3-2. Turning On/Off Your Printer	20
3-2-1. Turning On Your Printer	20
3-2-2. Turning Off Your Printer	21
3-3. Preparing Your PC	22
3-3-1. When you already have GT-541/GT-782	22
3-3-2. PC preparation: For Windows XP (32 bit)	22
3-3-3. Connection with USB 2.0 Cable: for Windows XP	23
3-3-4. Network Setting: For Windows XP	25
3-3-4-1. Assignment of your computer's IP Address	25
3-3-4-2. Assignment of GT-3's IP Address	28
3-3-4-3. GT-3 Setting on the LAN	30
3-3-5. Installation of PC for Windows Vista / Windows 7 / Windows 8 (32 bit / 64 bit)	37
3-3-6. Connection with USB 2.0 Cable: for Windows Vista / Windows 7 / Windows 8	38
3-3-7. Network Setting: For Windows Vista / Windows 7 / Windows 8	39
3-3-7-1. Assignment of your computer's IP address	39
3-3-7-2. Assignment of GT-3's IP Address	42
3-3-7-3. GT-3 Setting on the LAN	44
3-3-8. Opening the installed manuals	50
3-3-9. Opening the Useful Tools	51
3-3-10. How to use Firmware Update Tools	52
3-4. Setting Up Your Printer	53
3-4-1. Adjusting the Display Contrast	53
3-4-2. Adjusting the Speaker Volume	53
3-4-3. Temperature	53
3-4-4. Language	53

4. Printing Directly from Applications.....	54
4-1. Basic Printing Procedure.....	55
5. Maintenance	56
5-1. Regular Maintenance	57
5-1-1. Daily Cleaning White to avoid dull White Ink and Checking the Print Quality (once a day, before printing)	57
5-1-2. White Agitation to save the waste (Firmware ver. 3.00 or higher)	58
5-1-3. White Tube Cleaning (once a week)	58
5-1-4. Waste Ink Disposal	62
5-1-5. Required Maintenance for Long Term Storage.....	63
5-2. Cleaning and Replacing the Consumables.....	66
5-2-1. Replacing the Wiper Cleaner and Cleaning the Caps / Wipers	66
5-2-2. Cleaning the inside of the printer	70
5-2-3. Replacing Flushing Plate Sponge and Flushing Plate Felt.....	71
5-2-4. Replacing the Fan Filter.....	72
5-2-5. Replacing the Roller Felts.....	74
5-2-6. Replacing the Ink Cartridge.....	75
5-2-7. Cleaning the Encoder Strip.....	77
5-2-8. Replacing the Platen Sheet.....	80

1. Read This First

1-1. Precautions

Please observe the following precautions before using your printer.

- GT-3 represents the common specifications of GT-381, GT-361 and GT-341 models. The individual specifications are described with each model name.
- Please advise the following to your customers who buy your printed materials:
 - Printed colors may transfer when a printed surface rubs on white or light-colored synthetic leather made of PVC (polyvinyl chloride). When printing CMYK-only garments, the CMYK ink may transfer to the White-only printed garment when they rub against each other. In those cases, clean the stains with a soft cloth or toothbrush with a household cleaner or alcohol.
 - Wash away the pretreatment halo marks.
- The printer is designed to be used within the temperature and humidity levels below. Less humidity may cause ink clogging in Print Head nozzles and higher temperature may cause splashy print result. Use the printer within the range of our recommendation for the best print result.

	Temperature	Humidity
Keeping your printer	32 °F to 104 °F (0 °C to 40 °C)	20 % to 85 % (no condensation)
Operating your printer	50 °F to 95 °F (10 °C to 35 °C)	45 % to 85 % (no condensation)
For the best print result	64 °F to 86 °F (18 °C to 30 °C)	

- Do not pull out Ink Cartridge(s) during the operation; it may result in poor print quality or cause damage to your printer.
- Do not turn off your printer, or open the Front Cover during the operation; otherwise the printer may be damaged or spoil the print job.
- Be careful in handling a printed T-shirt that has not yet fixed by heat. Ink is difficult to wash from stained clothes.
- Clean the Caps and Wipers, replace the Wiper Cleaners, Fan Filter, Roller Felts (4), Flushing Plate Sponge (top) and Flushing Plate Felt (bottom) according to our maintenance schedule to maintain good print quality. Replace them when you see the warning indicated on the display. Print quality may be damaged by insufficient cleaning, e.g. dirty printed materials, mis-firing.
- Never use alcohol when you clean Head Caps and Wiper Blade; it will cause damage to the Print Heads. Use Wash Liquid when you clean around the Print Heads.
- Install the Ink Cartridges in the correct positions as shown. Confirm both the colors of labels on your printer and the Ink Cartridges.
- The printer indicates empty status "Empty XXXX (color)" when the ink cartridge is used up. Replace with a new Ink Cartridge. Make a new Ink Cartridge available when the icon on the Operation Panel starts blinking. A small amount of ink remains to avoid damage to your printer.
- New consumables should be stored away from direct sunlight until they are required. Use up the Ink Cartridges, Pretreatment and Maintenance Solution before the expired date, and CMYK inks should be used up within six months after opening the new one.

- Never refill ink, never reconstruct ink cartridges; ink may cohere inside the cartridge bag, tube or even Print Head and may cause serious damage to your printer. We assume no responsibility for any problem caused by using them. Only genuine new ink cartridges should be used.
- The ink cartridges should always be installed; otherwise the needles may be stopped up with ink and your printer may be damaged.
- Tubes and Print Heads for White must be cleaned with Maintenance Solution once a week by the menu Tube Cleaning. The Warning "Clean Tube W*" is indicated on the display of the Control Panel after a week passes since the last Tube Cleaning.
- If the printer is unused for a period of time there is a possibility that Print Heads and Maintenance Unit may become clogged as ink dries. To avoid this, we recommend that the printer should be turned on at least once a week and press the Head Cleaning Button to clean the Print Head. If you are planning not to use your printer for more than two weeks, follow "5-1-5. Required Maintenance for Long Storage" to keep printer in good condition.
- Shake the White Ink Cartridges once a day before you start printing (30 seconds to 1 minute for each, 1-2 minutes for new one). Hold the cartridge upside down to agitate the pigment in the bottom and shake it horizontally.
- If CMYK inks are printed on a Pretreatment applied T-shirt, ink may wash off. Do not apply Pretreatment when you print without using White ink.
- The clearance between the Clearance Sensor and the surface of the Print Heads should be app. 2 mm. If the clearance is wider, the ink mist will spread inside the printer and the printing material, and may damage the sensors inside. If you print with wider clearance (more than 2 mm) then check the inside of the printer and keep it clean by referring to "5-2-2. Cleaning the inside of the printer" and "5-2-7. Cleaning the Encoder Strip".
- Pretreatment mist may spread out when you use a spray and/or pretreatment applicator. Ventilate your room in operation. Wear a face mask or goggles as necessary.
- Pre-treatment on some T-shirts may be seen after applied and cured, wash lightly with water to remove mark. Some dyes may be decolorized by Pretreatment; we recommend you test the garment before printing.
- Dispose the used waste ink, pretreatment, maintenance solution (all water-based) or other wastes in accordance with your local regulations. Or make contact to your dealer.
- The pretreated area may turn yellow when you apply Pretreatment on a white or light-colored garment. Keep the pretreated garment away from the sunlight and wash the printed T-shirt soon.
- If GT main unit is moved to another place due to your changing room layout or any other reason, be sure to adjust the unit to horizontally stay using a leveling instrument.

<Note> Only for the use in the United States

This device complies with Part 15 of the FCC Rules. Operation is subject to the following two conditions: (1) this device may not cause harmful interference, and (2) this device must accept any interference received, including interference that may cause undesired operation.

1. Read This First

<Note>

Product names used in this manual are, in general, trademarks or registered trademarks of their respective developer or manufacture. However, in this manual, the ® marks or TM marks are not used.

Brother logo is registered trademark of Brother Industries, Ltd.

Microsoft and Windows are either registered trademarks of Microsoft Corporation in the United States and/or other countries.

Corel, CorelDRAW and Paint Shop Pro are registered trademarks of Corel Corporation.

Adobe, Adobe Photoshop, Adobe Illustrator and Adobe Photoshop Elements are either registered trademarks of Adobe Systems Incorporated in the United States and/or other countries.

Other product and company names mentioned herein may be the trademarks or registered trademarks of their respective owners.

Information in this document and the specifications of this product are subject to change without notice.

<Software>

This unit uses software.

Agree with the license agreement to use the software.

Software License Agreement

The customer may download and use this software after agreeing with the various terms stipulated in the Software License Agreement (herein referred to as the "Agreement").

This software cannot be used if the customer disagrees with this agreement.

1. Ownership

The ownership of this software and any reproductions belongs to Brother Industries (herein referred to as "Company") or its supplier, Wind River KK. This agreement does not transfer this company's software copyright to the customer.

2. License Agreement

2-1. This company hereby grants the customer non-exclusive rights to use this software.

2-2. The customer may not conduct the following.

- (1) Modify this software in whole or in part
- (2) Duplicate this software for purposes other for backup purposes
- (3) Reverse engineering, reverse assemble, or reverse compile this software
- (4) Rent or lease this software
- (5) Leave a computer in a public location where this software can be downloaded

3. No Warranty

Except for the expressed and implied warranties set forth herein, this company disclaim all other warranties. This company cannot ensure that this software is not defective, not compatible with specific applications, and the use of this software does not infringe upon third party rights.

4. Restriction of Liability

This company shall not be held responsible for any damage, directly or indirectly, caused by problems or any related problems with this software.

5. Third Party Beneficiary

Wind River KK. and its suppliers (herein collectively referred to as "supplier") are third party beneficiaries of this software in this Agreement and may have enforceable rights of the various terms in this Agreement.

6. License Termination

If the customer violates the conditions stipulated in this Agreement, this company may terminate this Agreement without prior notice.

7. Governing Law

This Agreement shall conform to and be interpreted according to Japanese Law.

8. Separate Terms

Regarding the use of this software by customers not under this Agreement, this company or the supplier of this software shall provide the customer with separate terms (herein referred to as "separate terms"). If the customer agrees to these separate terms, these terms shall take priority over any terms not covered or infringing upon the provisions within the License Agreement.

Agree to abide by the aforementioned terms.

1. Read This First

1-2. Unpacking Your Printer

<Note>

Your printer must be unpacked by a Brother representative or a Brother authorized shipping company.

After unpacking, check that the following parts are included.

Contact Brother Customer Service Hot Line if any of these is missing.

- GT-3 Printer
- AC cord
- Wash Liquid L: 1 pce., Clean Stick: 6 pcs, Clean Applicator: 6 pcs.
- Print Heads: 8 for GT-381, 6 for GT-361, 4 for GT-341
- One Waste Ink Tank
- One Encoder Cleaner
- One Maintenance Cartridge for GT-381, GT-361
- One Tube Cleaning Bottle for GT-381, GT-361
- Flushing Plate (including Flushing Plate Felt and Flushing Plate Sponge)
- Basic Operation Manual
- Grease
- USB 2.0 hub

<Note>

Filter Cartridges (8 for GT-381, 6 for GT-361, 4 for GT-341) are installed in both Ink Cartridge Slots. Keep them since they should be used for maintenance & transport operations.

1-3. Required Condition

Please use your printer under the conditions described in this section.

1-3-1. Environment

	Temperature	Humidity
Keeping your printer	32 °F to 104 °F (0 °C to 40 °C)	20 % to 85 % (no condensation)
Operating your printer	50 °F to 95 °F (10 °C to 35 °C)	45 % to 85 % (no condensation)
For the best print result	64 °F to 86 °F (18 °C to 30 °C)	

If your room is dry, we recommend using a humidifier to avoid Print Heads from clogging with dried ink.

1-3-2. Electrical Requirements

Power:

Single-phase 100-240 V, 50/60 Hz

Power Consumptions:

0.4 A (average)

1-3-3. Software Information

Supported OS:

Latest Windows XP (32 bit), Windows Vista, Windows 7, Windows 8, Windows 8.1 (32bit/64bit)

Supported Interface:

USB 2.0

LAN (10 BASE-T/100BASE-TX)

Minimum System Requirements:

256 MB RAM (512 MB or more is recommended),
128 MB free disk space (256 MB or more is recommended),
1 GHz CPU (2 GHz or more is recommended.)

Recommended Applications for precise output:

Adobe Photoshop, Adobe Photoshop Elements, (for BMP editing)
Adobe Illustrator, CorelDRAW (for Vector Data editing)
Corel Paint Shop Pro

1-3-4. Other Requirements

When purchasing optional tools and devices, choose one that meets the following requirements.

USB cable:

USB 2.0-compliant device cable (A/B)

<Note>

Using other USB 2.0-compliant device cable may result in improper connection.

LAN cable:

LAN cable (10 BASE-T/100BASE-TX)

USB flash memory:

Capacity under 32 GB, FAT 32 formatted,

Heat Press:

Must be able to handle the area of Platen 14 x 16 (355.6 mm x 406.4 mm) and maintain heat production of 356 °F (180 °C) for 35 seconds. Pretreatment must be cured with the heat press instead of oven to keep the surface flat and smooth.

<Note>

When you print with White ink, we recommend using oven instead of heat press. (320°F (160 °C), 3 and half minutes with the tunnel 2.4 meter long as a rough indication)

Separator sheet:

Be sure to use this sheet to make the surface smooth and flat when you cure Pretreatment and Ink. When you cure printed ink, use this for separation.

Urethane mat (continuous foam):

When you cure the Pretreatment, use this to release the hot air quickly.

1. Read This First

T-shirt (printed material):

Cotton 100%

Light-colored polyester-mixed cotton (cotton should be 50% or more)

Dark-colored polyester-mixed cotton (cotton should be 70% or more)

<Note>

- Some manufacturing brands may not work as good as 100% cotton garment.
You need to test prior to your production, especially when you print on something new and unknown materials.
- Pretreatment on some T-shirts may be seen after applied and cured. In that case, wash lightly with water to remove the mark.
- The following issues may occur with Pretreatment. Test before you print.
 - * Some of the dyes used for some manufacturing brands or the models, or even the difference of lots, may be decolorized by Pretreatment; we recommend you test the garment before printing.
 - * The dye in dark-colored polyester-mixed garment can easily come out, called "dye migration" and may color the White Ink (especially the garment with 70% or less cotton mixed).

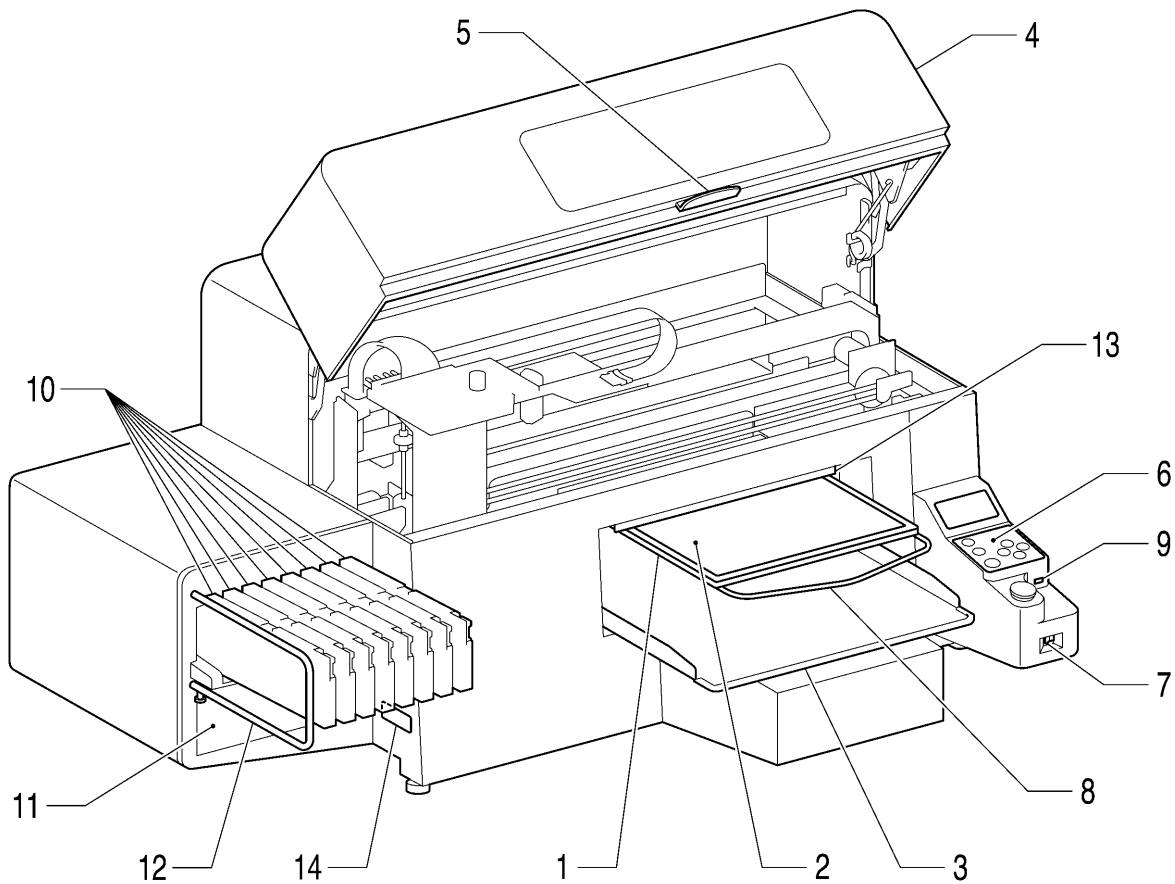
1-3-5. Consumable Requirements and Options

For ordering new or replacement items please use the codes below.

Consumables		Parts Code	Maintenance/Replacement parts	Parts Code
Black Ink Cartridge	180 cc	GC-30K18	Print Head	SB4231
	380 cc	GC-30K38	Wiper Cleaner	SB3101
Magenta Ink Cartridge	180 cc	GC-30M18	Wiper assembly W/Box	SB3635
	380 cc	GC-30M38	Grease	SB3229
Cyan Ink Cartridge	180 cc	GC-30C18		
	380 cc	GC-30C38		
Yellow Ink Cartridge	180 cc	GC-30Y18		
	380 cc	GC-30Y38		
White Ink Cartridge	380 cc x 2 pcs	GC-30W38		
Maintenance Solution	5 kg	GC-50S5K		
Pretreatment	5 kg	GC-30P5KA		
	20 kg	GC-30P20A		
Full Maintenance Kit		SB5677		
Filter Felt Kit		SB5678		
Wash Liquid L		SB5679		
Options		Parts Code		
Middle platen 14x16		SB3105		
Platen Sheet		SB3035		
Youth Platen 10x12		SA6399		
Platen Sheet S		SA6401		
Baby Platen 7x8		SA8213		
Platen Sheet SS		SA8211		
Pretreatment Roller		SB1290		
Waste Ink Tank		SB2582		
Maintenance Cartridge W		SB3264		
Maintenance Cartridge (Color)		SB3265		
Filter Cartridge W		SB2512		
Filter Cartridge (Color)		SB2508		
Capping Cartridge W		SB3047		

2. Identifying Your Printer's Parts

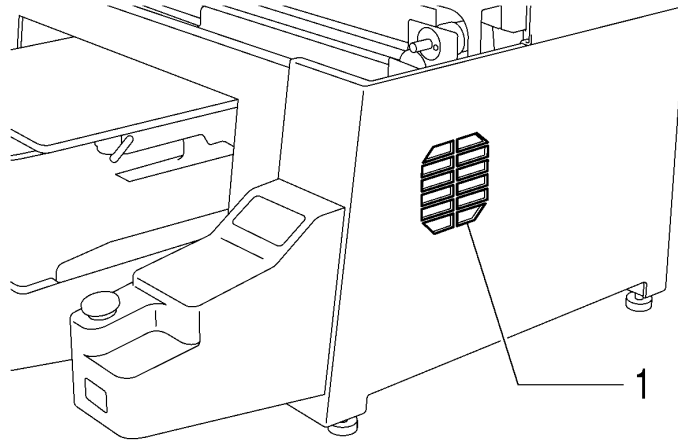
2-1. Front



0043Y

No.	Name	Description
1	Platen	Holds the T-shirt to be printed.
2	Platen Sheet	Prevents a T-shirt from slipping so that an image is printed on your desired position.
3	T-shirt Tray	Keeps parts of T-shirt hanging from the Platen (e.g. sleeves) on this T-shirt Tray.
4	Front Cover	Open this to work on the inside of your printer, after you turn OFF the printer. (If you open the Front Cover while operating, the power automatically turns off.)
5	Stop Lever	Unlocks the lock of the Front Cover. Keep pushing it to release the lock when you close the Front Cover.
6	Control Panel	Indicates the status of the printer. Use this to operate your printer. See "2-7. Control Panel" for the details.
7	Power Switch	Turns on/off your printer.
8	Shoulder Bar	Adjusts the T-shirt position.
9	USB flash drive Slot	Inserts USB flash drive.
10	Ink Cartridge Slots	Load the Ink Cartridges of the appropriate color: from the left side W1, W2, W3, W4, Black(K), Magenta (M), Cyan (C), Yellow (Y).
11	Ink Cartridge Storage	Stores the new Ink Cartridges.
12	Guard Bar	Keeps the loading space of the Platens.
13	Clearance Sensor (Obstruction Sensor)	Cancels an operation for safety, if it detects obstructions on the Platen. When you lower the platen for printing thicker materials, use Platen Button on the Control Panel and check the movement if the material does not hit the flap of the Clearance Sensor. The sensor will not work when the clearance between the print head and the material is too wide (the platen is too low). Confirm the platen height by referring "4-5. Placing the T-shirt on the Platen" in the Instruction Manual.
14	Model Plate	Indicates the serial number of the product.

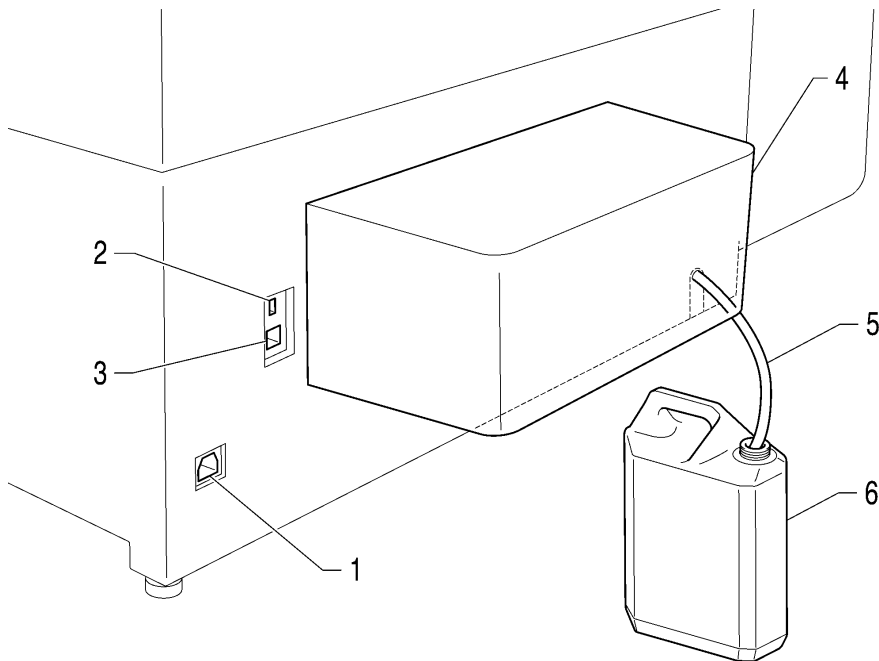
2-2. Right



0044Y

No.	Name	Description
1	Exhaust slot	The outlet of the Exhaust Fan. Do not cover; Leave the space of 20 cm or more to release the exhaust air.

2-3. Rear

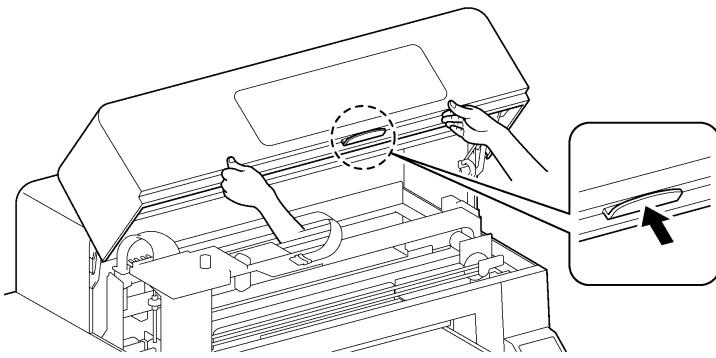


0045Y

No.	Name	Description
1	AC cord socket	Inserts AC cord.
2	USB port	Inserts USB cable to PC.
3	LAN port	Inserts LAN cable to PC.
4	Rear Cover	Covers the Platen moving area.
5	Waste Liquid Tube	<p>Drains the waste ink.</p> <p>Insert Waste Liquid Tube (2) and Tube Stopper (3) into Waste Ink Tank (1).</p> <ul style="list-style-type: none"> ● Shorten the Waste Liquid Tube located inside the Waste Ink Tank to an appropriate length (4 to 5 cm). ● Be careful so as not to bend the Waste Liquid Tube. Otherwise, the waste liquid is less likely to flow.
6	Waste Ink Tank	<p>Holds the waste ink. Be aware of the room.</p> <ul style="list-style-type: none"> ● Discard the waste liquid before cleaning the tube. (Or, check that the waste liquid amount is less than one half of the tank.) <p>If the Waste Liquid Tube soaks up the waste liquid, the liquid may leak from the device side when cleaning the tube.</p>

0856D

2-4. Inside of the Front Cover

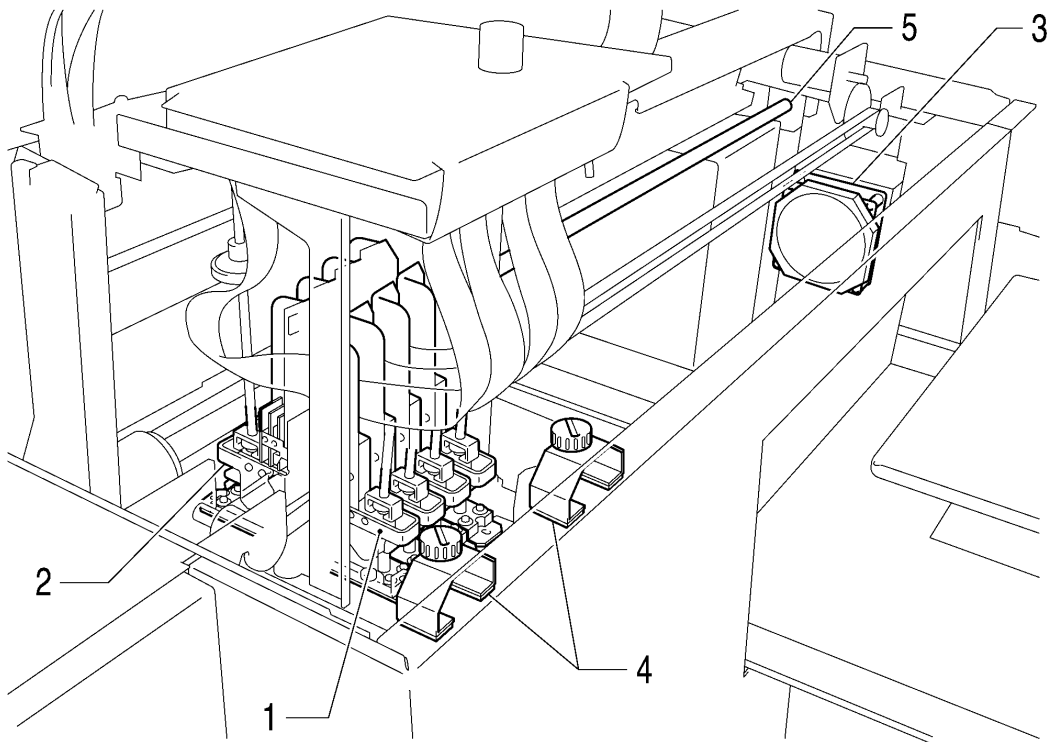


Cancel any operation, restore the Platens and turn off your printer before opening the Front Cover.

Lift the Front Cover with both hands until the lock is set when opening. Keep pushing the Stop Lever to release the lock and close the Front Cover with both hands.

<Note> If you open the Front Cover while operating, the power automatically turns off.

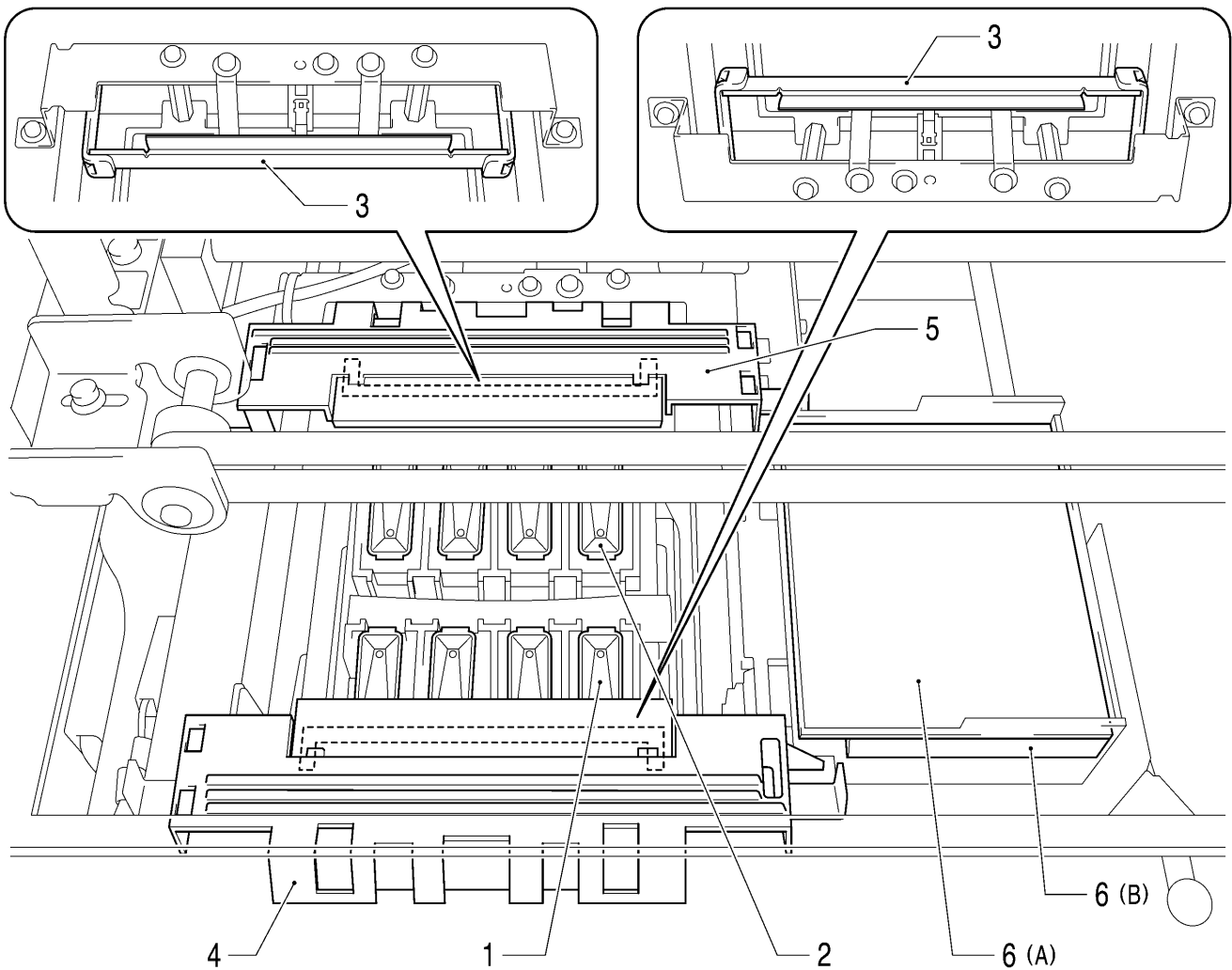
0046Y



0047Y

No.	Name	Description
1	Print Heads (Front)	Jets the Color Ink to the platen. From the left black, magenta, cyan, and yellow.
2	Print Heads (Back)	Jets the White Ink to the platen. From the left W1, W2, W3 and W4.
3	Filter Cover, Fan Filter, Exhaust Fan	Absorbs ink mist inside the printer. Replace the Fan Filter inside the Filter Cover regularly. See "5-2-4. Replacing the Fan Filter".
4	Roller Felts	Cleans the roller by wiping off the surface. Replace the Roller Felts regularly. See "5-2-5. Replacing the Roller Felts".
5	Carriage Guide Shaft	This may be covered with ink mist and dust. Keep clean to maintain smooth Carriage movement. See "5-2-2. Cleaning the inside of the printer".

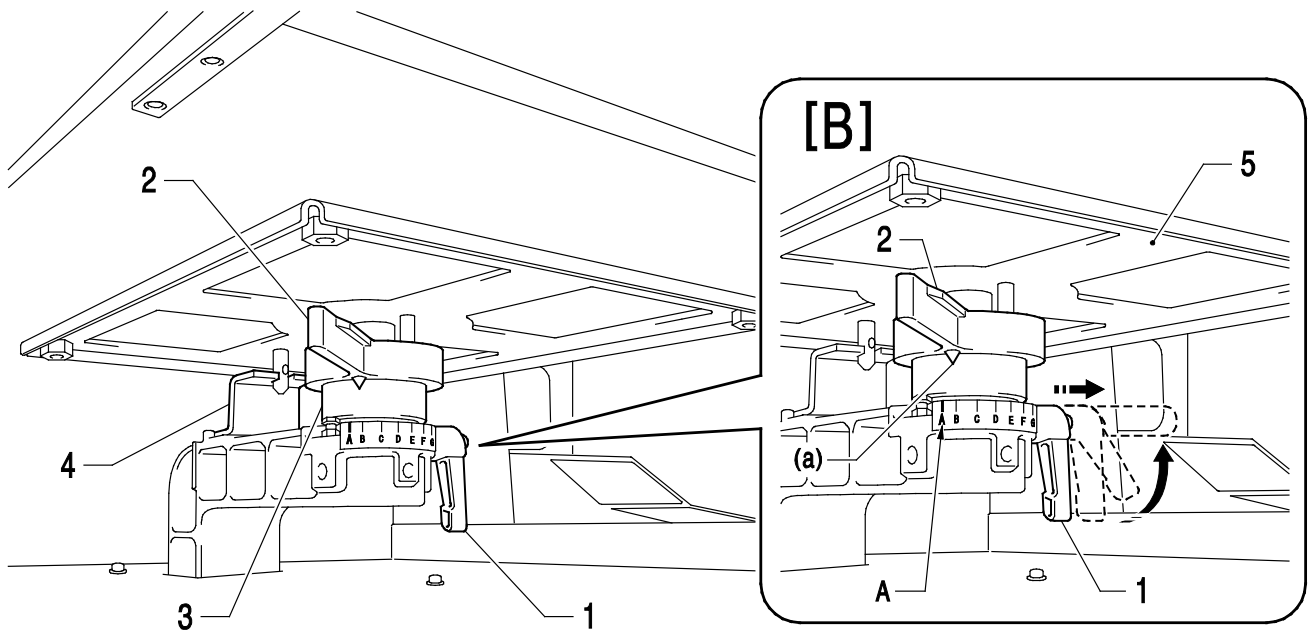
2-5. Upper part of the Maintenance Unit



0048Y

No.	Name	Description
1	Caps (Front: Color side)	Cover the surface of the Print Heads and absorb ink in head cleaning. From the left black, magenta, cyan, and yellow.
2	Caps (Back: White side)	Cover the surface of the Print Heads and absorb ink in head cleaning. From the left W1, W2, W3, and W4.
3	Wipers (Color / White)	Wipe off waste ink from the surface of the Print Heads. To maintain good print quality, clean them every week, and whenever the Wiper Cleaner is replaced. See "5-2-1. Replacing the Wiper Cleaner and Cleaning the Caps / Wipers".
4	Wiper Cleaner (Front: Color side)	Removes the waste ink on the Wiper. Exchange regularly and keep them clean for print quality, at the timing when you open the new ink cartridge or when you see the warning on the display of Control Panel. Remove the projections of both sides and lift it up. See "5-2-1. Replacing the Wiper Cleaner and Cleaning the Caps / Wipers".
5	Wiper Cleaner (Back: White side)	
6	Flushing Plate Sponge Flushing Plate Felt	Hold the flushed ink for keeping print quality. Replace them regularly. See "5-2-3. Replacing Flushing Plate Sponge and Flushing Plate Felt".

2-6. Under the Platen



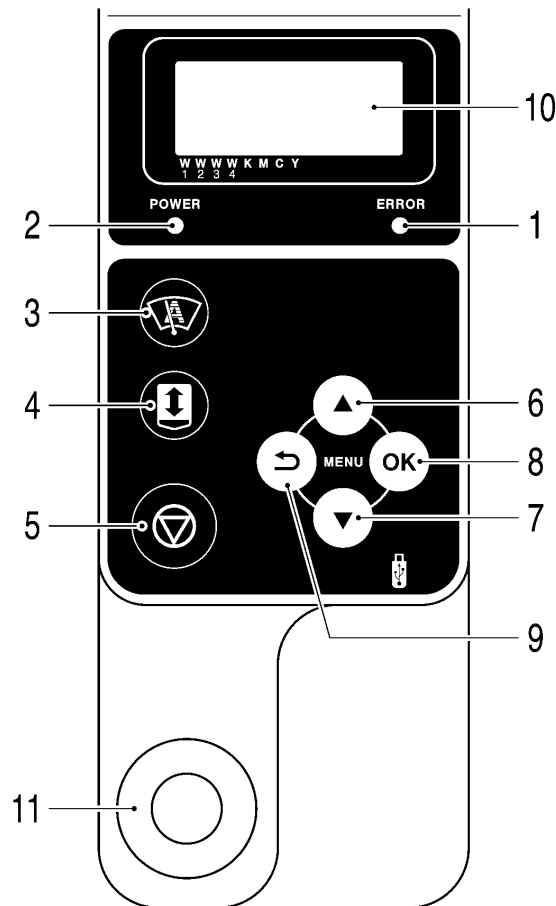
0049Y

No.	Name	Description
1	Platen Fixing Lever	Fixes the Platen. Tighten/Loosen this lever to install/uninstall the Platen and to adjust the Platen height. <In case [B] that you cannot rotate Platen Fix Lever (1) by hitting the Platen (3)> Move the Platen Height Adjustment Lever (2) to the A position in the right image and loose the Platen Fixing Lever (1). When you pull out the Lever (1), you can turn it with no load so that move the Lever (1) to easy-to-operate position. Then tighten the Lever (1) to fix the Platen.
2	Platen Height Adjustment Lever	Adjusts the Platen height. Left most position "A" is the normal T-shirt position. Check the exact height with Platen Button on Control Panel when you print on thicker material. The adequate clearance between the Flap Sensor and the printed material is app. 2 mm. See "4-5. Placing the T-shirt on the Platen" in the Instruction Manual. Ink mist may spreads inside the printer If you print with wider clearance, the ink mist will spread inside the printer and the printing material, and may damage the sensors.
3	Bush Platen Shaft	Fixes and holds the Platen.
4	Platen Positioning Plate	

<Note>

You can use Lower-the-Platen Assy (option) when you regularly print thicker material, which can lower the platen by 13 mm than the standard height. See "4-4-3. Lowering the Platen height" in the Instruction Manual.

2-7. Control Panel



0050Y

No.	Name	Description
1	Error Lamp	OFF: no errors ON: one or more errors have been detected. See "7-4. Error messages" in the Instruction Manual.
2	Power Lamp	ON: shows the power is ON.
3	Head Cleaning Button	Cleans all the Print Heads with normal cleaning. (the number of cleaning depends on the model).
4	Platen Button	Loads / Ejects the Platen. Press this button when you check the adequate height of the Platen after you change the height. See "4-5. Placing the T-shirt on the Platen" in the Instruction Manual.
5	Stop Button	Cancels printing or Print Head cleaning. Returns to Standby mode.
6	Up Button	Selects the previous (upper) item. Increases a numeric value. Opens the Menu display.
7	Down Button	Selects the next (lower) item. Decreases a numeric value. Opens the Menu display.
8	OK Button	Executes the selected command. Opens the Menu display. Clears the error status.
9	Back Button	Returns to the previous display. Opens the Menu display.
10	Display	Displays the Job Comment of the print data received, the status of the printer, and the menu items for various settings.
11	Print Button	Indicates the print data status and starts the print. OFF: No print data has been received Flashing: Receiving a print data ON: Print data is ready to print.

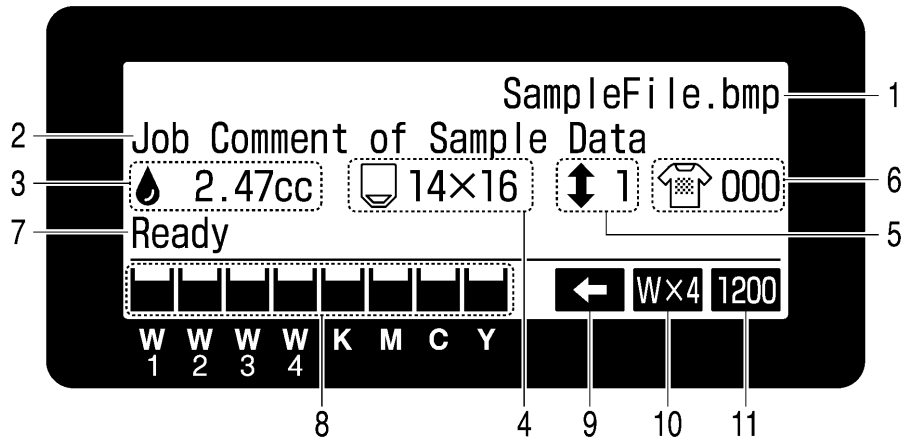
<Note>

On machine initialization these lamps have a 30-second self check time.

2. Identifying Your Printer's Parts

2-7-1. Display

The following image indicates that GT-3 has received a print data and ready to print. The Display indicates Job, printer status and the information needed for printing operations.



01e0026Y

No.	Item Shown	Description
1	Job Name	Shows the identified name of the print data, which is automatically set by Printer Driver.
2	Job Comment	Shows the 30 characters of the Job Comment set by the operator with Printer Driver.
3	Amount of Ink Required	Shows how much ink (cc) is required for making one print of the received data. Shows warning message(s) if necessary.
4	Platen Size	Shows Platen Size set by Printer Driver.
5	Number of Platen Move	Shows the number of the Platen Move (loading/unloading) in printing one print data.
6	Number of Print	Shows the number of prints completed of the print data.
7	Printer Status	Shows the printer status.
8	Amount of Ink Remained	Shows amount of ink remained in each cartridge, from the left, W1, W2, W3, W4 , Black (K), Magenta (M), Cyan (C) and Yellow (Y). It flashes when ink is low. Prepare the new cartridge(s).
9	Uni-Directional Print Icon	Shows when the printer or the print data is set to uni-directional printing.
10	Number of White Print Head Icon	Shows how many White Print Heads are used in printing one print data.
11	Resolution Icon	Shows the resolution of the print data.

<Note> When one or more errors are detected, error message(s) will be displayed instead.

2-7-2. Menu List

Push either one of the OK Button, Up Button, Down Button and Back Button to go into the Menu.

Menu	Content
Head Cleaning	Executes Head Cleaning of either one by one or of all four Print Heads. See "7-2-2. Cleaning the Print Heads" in the Instruction Manual. Normal: normal mis-firing Powerful: After cleaning the Print Head nozzles, when normal head cleaning does not work.
Test Print	Prints to check mis-firing and print quality. Nozzle Check CMYK / W: shows mis-firing Standard Check CMYK / W: shows general print quality Whiteness: confirms the white quality Head Test CMYK / W: confirms which print head is broken
Daily Cleaning White	Flushes the " thinner and white-less" dull White Ink caused by sinking white pigment. See "5-1-1. Daily Cleaning White to avoid dull White Ink and Checking the Print Quality (once a day, before printing)".
White Agitation	You can avoid wasting of the White Ink by moving the Carriage with the [White Agitation] menu. See "5-1-2. White Agitation to avoid waste (Firmware ver. 3.00 or higher)".
Print Data Load	Reads a print data (AR3 file) in USB flash drive. The inside folder shows with [...].
Print Direction	Sets the print direction. This setting is prior to Printer Driver setting. Auto: Default Bi-directional, Printer Driver setting is available. Always Uni-Directional: always prints uni-directionally. Always Bi-Directional: always prints bi-directionally. See "7-2-4. Changing the Print Direction" in the Instruction Manual.
Maintenance	Goes into the Maintenance submenu. White Tube Cleaning: Cleans the pigment in White Print Heads and Tubes. See "5-1-3. White Tube Cleaning (once a week)". Load White: Loads White Ink into the Tubes filled with Maintenance Solution after White Tube Cleaning. See "5-1-3. White Tube Cleaning (once a week)". Initial Cleaning: Loads ink into the empty new Tubes and Print Heads. CMYK ink is loaded directly into Tubes. Maintenance Solution is required before White ink. Maintenance Parts Exchange: See "5-2. Cleaning and Replacing the Consumables". Nozzle Cleaning: Select this menu when you cannot solve mis-firing. See "7-2-6. Cleaning the Print Head Nozzles" in the Instruction Manual. CR Encoder Strip Cleaning: See "5-2-7. Cleaning the Encoder Strip". Head Replacement: See "7-2-7. Replacing the Print Head" in the Instruction Manual. Color Tube Cleaning: See "7-2-7. Replacing the Print Head" in the Instruction Manual. Log Copy to USB: See "7-2-13. Copy Log file to USB flash drive" in the Instruction Manual.
Printer Setting	Goes into the Printer Setting. LCD Contrast: Adjusts the Display contrast. See "3-4-1. Adjusting the Display Contrast" Speaker Volume: Adjusts the speaker volume. See "3-4-2. Adjusting the Speaker Volume". Temperature: Sets Fahrenheit / Centigrade. See "3-4-3. Temperature". Auto Cleaning Interval: See "7-2-5. Changing the Auto Cleaning Setting " in the Instruction Manual. CR Speed Adjustment: Adjusts the increase/decrease of the Carriage speed. See "7-2-9. Adjusting the CR Speed" in the Instruction Manual.

(Continued on the next page)

2. Identifying Your Printer's Parts

Menu	Content
Printer Setting	<p>Flushing Interval: Adjusts the number of lines (interval) to flush ink in printing. See "7-2-10. Adjusting the Flushing Interval" in the Instruction Manual.</p> <p>Flushing Volume: Adjusts the ink volume in flushing. See "7-2-11. Adjusting the Flushing Volume" in the Instruction Manual.</p> <p>Daily Cleaning W Setting: Adjusts the amount of White Ink that is flushed in Daily Cleaning White. See "7-2-12. Adjusting the amount of White Ink in Daily Cleaning White" in the Instruction Manual.</p> <p>Auto Job Delete: Deletes the print data automatically after the print number which is set with Printer Driver is finished. Default is OFF.</p> <p>GT-341 mode (No White): Sets the printer to stop all the operation of White Heads. See "5-1-5. Required Maintenance for Long Term Storage".</p>
Total Print	Shows the number of prints.
Platen Reset	Restores the Platen.
Language	Sets the language shown on the display. See "3-4-4. Language".
Version	Shows versions of the firmware.

3. Getting Started

Before using your printer, it needs to be correctly setup as described in this chapter.

WARNING



Do not handle the power cord with wet hands, otherwise it may cause electric shocks.



Do not set up the printer in a dusty environment. If dust collects inside the printer, it may cause fire or electric shocks or problems with correct operation.



Be sure to connect the ground. If the ground connection is not secure, you run a high risk of receiving a serious electric shock, and problems with correct operation may also occur.



Do not bend the cords excessively or fasten them too hard with staples or anything similar to secure cords, otherwise there is the danger that fire or electric shocks could occur.



CAUTION



Setting up and moving of the printer should only be carried out by a qualified technician.



The printer machine weighs approximately 111 kg (245 lb). Transporting and setting up of the printer should be held in proper way. The machine may fall down and cause injury.



The printer must be used on a suitable stable surface, otherwise it may tip over or fall down and cause injury.

Furthermore, the table that supports the printer should be at least 137 cm (53.9 inch) in width and 104.5 cm (41.1 inch) in depth, and should be able to bear a weight of 150 kg (330 lb) or more.



Do not set up the printer in a place where it will be affected by vibration. It may become unbalanced and fall down, which cause injury or damage to the printer.



Do not connect the power cord until setup is complete, otherwise the printer may operate if the power switch is turned on by mistake, which could result in injury.



Do not climb onto the printer or place heavy objects on top of it, otherwise it may become unbalanced and tip over or fall down and cause injury.

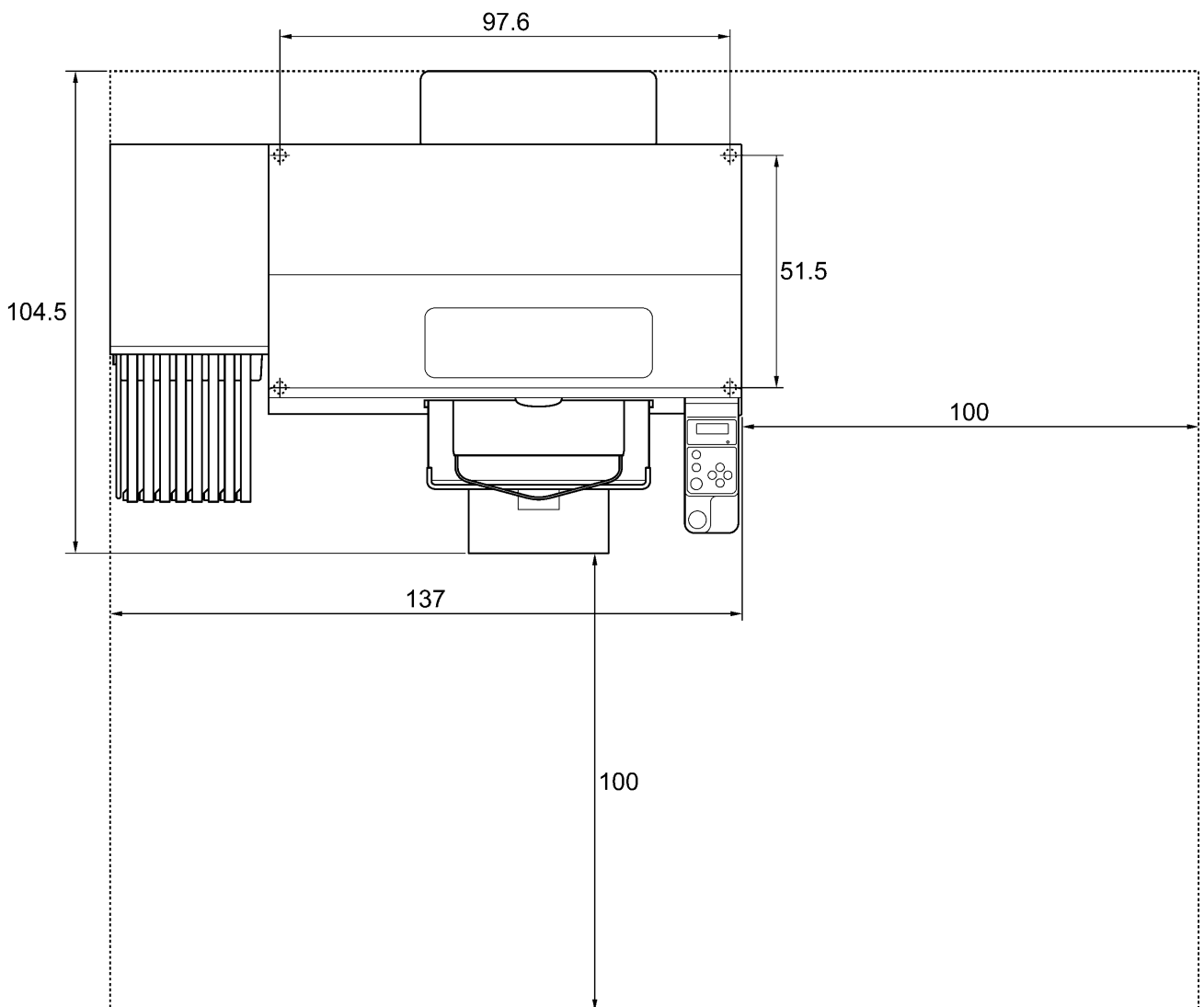
3. Getting Started

3-1. Placing Your Printer

Uncrate and Setting the printer by following the steps in Uncrate Manual, which is packed with the printer. Locate your printer taking the following into account.

- Environmental conditions are suitable.
- Avoid direct sunlight, dust and extremes of humidity.
- Never use an extension cable.
- A working space must be left around the printer.
Minimum space of 100 cm (39.4 inch) on the front and the right. Keep away from the right side of the Exhaust Fan at least by 20 cm (7.9 inch).
- Body size is app. 137 cm (53.9 inch) x 104.5 cm (41.1 inch) x 66 cm (26.0 inch) and weighs app. 111 kg (245 lb).
- The table that supports the printer should be at least 137 cm (53.9 inch) in width and 104.5 cm (41.1 inch) in depth, and should be able to bear a weight of 150 kg (330 lb) or more. Its tabletop must be level.

Unit:cm



0051Y

3-2. Turning On/Off Your Printer

<Note>

Before you connect the power cord, make sure:

- The Ink Cartridges, Wiper Cleaners and Flushing Sponge et al. are adequately installed.
- Waste ink tube is properly set the Waste Ink Tank*.
(* See "1-3-5. Consumable Requirements and Options" for part code.)
- The Rear Cover is mounted.
- Keep the front space approximately 30 cm (12 inches) on the front as the Platen slides out when operating, and the right space at least 20 cm (7.9 inch) for exhausting air from the Exhaust Fan for exhausting air.

3-2-1. Turning On Your Printer

- (1) Hold the White Ink Cartridges upside down from the inserting position and shake them back and forth beforehand (30 seconds to 1 minute for each).
- (2) Connect the power cord (included) to the AC cord socket of your printer.
- (3) Connect the power plug to the power outlet.
Ensure the printer is connected to a suitable earth point
- (4) Press the Power Switch to turn ON your printer.
Your printer turns on, lights up the Error Lamp and the Print Button while initializing.
The initialization requires approx. 40 seconds. When it finishes, the machine goes to [standby] mode.

3. Getting Started

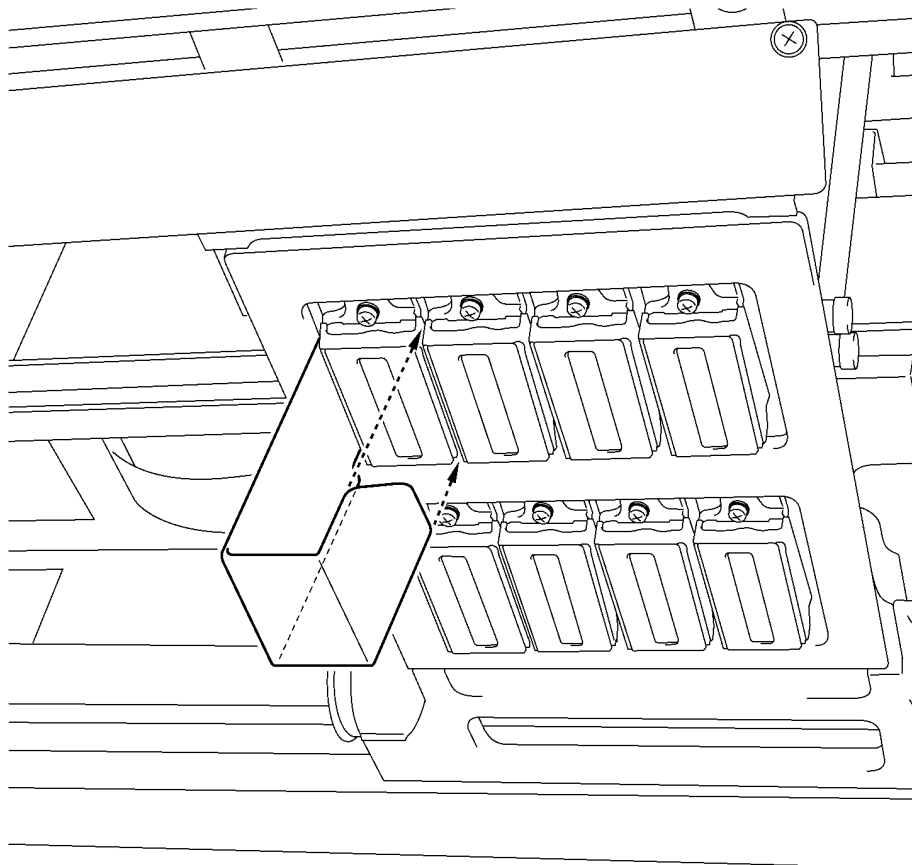
3-2-2. Turning Off Your Printer

When you have finished using your printer, follow the instructions below to turn it off.

- (1) Make sure that your printer is [standby] or [ready] mode.
- (2) Select [Platen Reset] in Menu to store the Platen in the printer.
- (3) Press Power Switch to turn OFF your printer.
- (4) If you are planning not to use your printer for over-two-week periods of time, disconnect the power plug from the power outlet.

<Note>

- *As for GT-381 and GT-361, do not leave the White ink inside the printer. White pigment precipitates and may cause serious damage to your printer. Before you start your job, shake the cartridges for 30 seconds to 1 minutes and execute [Daily Cleaning White] to flush the white-less White Ink. Clean the tubes once a week with Maintenance Solution. Follow the steps of "5-1-1. Daily Cleaning White to avoid dull White Ink and Checking the Print Quality (once a day, before printing)" and "5-1-3. White Tube Cleaning (once a week)".*
- *Do not turn off your printer when it is operating. It may cause serious damage to your printer. If you turn off your printer accidentally during the operation, immediately restart it, and then turn it off correctly following the steps described in this section. If the power supply stops in printing by accident and will not recover soon, then turn OFF the printer and apply the Print Head Protection Films packed in the Print Head to cover the nozzles of the Print Heads so that the Films should protect the nozzles from drying. Wash the surface of the Print Head Protection Films with either the Maintenance Solution or Wash Liquid to protect the Print Head Nozzles from dust. After the power supply is available, remove the Print Head Protection Films and turn ON the printer for initialization and do Head Cleaning.*



0052Y

- *If the printer is unused for a long time we recommend turning on your printer once a week and press the Head Cleaning Button to protect the Print Heads and Maintenance Unit from drying and clogging. This ensures the ink is kept free flowing. As for White Print Heads, do the powerful cleaning with maintenance solution.
If you are planning not to use your printer for more than two weeks, follow "5-1-5. Required Maintenance for Long Term Storage" to prevent ink clogging.*

3-3. Preparing Your PC

This section describes how to install the GT-3 Printer Driver (FileOutput), manuals (Basic Operation Manual/ Instruction Manual), Brother GT-3 File Viewer, and other tools. Make sure the steps because there are some different dialogs shown in Windows XP / Windows Vista / Windows 7 / Windows 8.

After those installations are over, install GT-3 Printer Driver (USB) by connecting USB 2.0 cable. Connect with USB 2.0 Cable first and then connect to the LAN by following the steps in this Instruction Manual.

3-3-1. When you already have GT-541/GT-782

You cannot print GT-3 print data (*.ar3) with GT-541/GT-782; the inside format has been changed. Likewise you cannot print GT-541/GT-782 print data (*.arp) with GT-3.

3-3-2. PC preparation: For Windows XP (32 bit)

Install File Output Printer Driver "Brother GT-3 FileOutput" first to your PC.
Do not connect the printer to the PC at this stage.

<Note>

You must be logged on with Administrator rights on the PC.

- (1) Turn on your PC.
- (2) Close all open applications
- (3) Insert the Install CD (included) to your PC.
Open the CD-ROM drive and double-click "Setup.exe".
- (4) The Installer starts installation. Follow the indications of the dialogs.

<Note>

When you install to the PC that the printer drivers and tools are already installed, e.g. updating, the message to confirm uninstallation appears. If you click "Yes", uninstallation starts to uninstall the necessary tools but Printer Driver(s) is/are not uninstalled. If uninstallation fails, a dialog box appears "Uninstallation of the former version failed. Do you want to continue installing the new version?". Click [No] and quit the installer. Open "Add or Remove Programs" of Control Panel and remove "Brother GT-3 Tools". Then start the installation from the beginning.

- (5) During the installation, the following warning appears. Click "Continue Anyway" and continue.



Windows XP

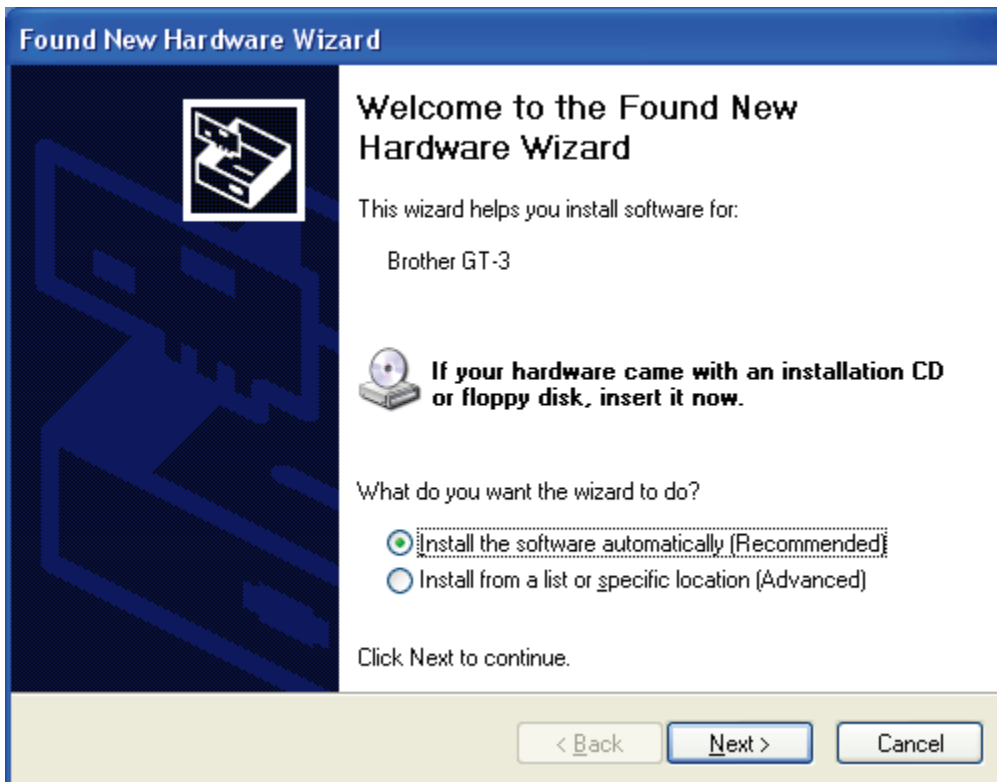
- (6) After installation, your PC will need to restart. Restart your PC. If you are going to use your printer without connecting it to your PC, this will be the end of PC preparation.

3-3-3. Connection with USB 2.0 Cable: for Windows XP

- (1) Connect the USB 2.0 cable to your printer (power OFF).
- (2) Connect the other end of the USB 2.0 Cable to your PC.
- (3) Turn on your GT-3 printer. The following window appears. Select "No, not this time", and then click "Next".



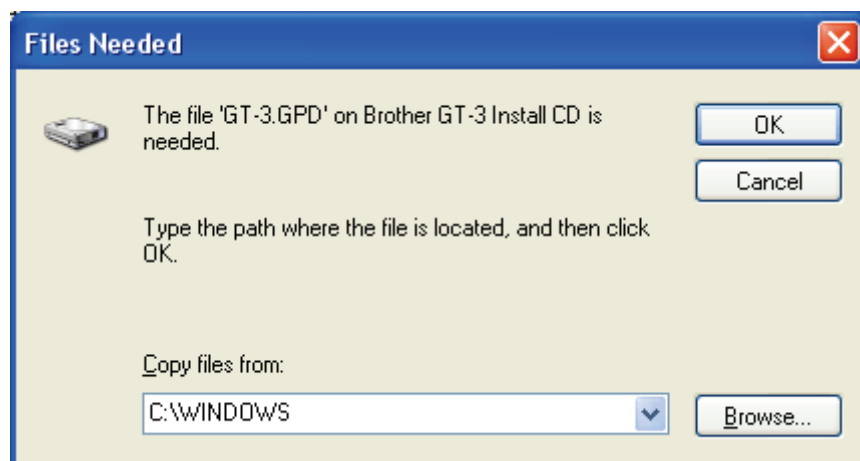
- (4) Insert the Install CD. The following window appears.



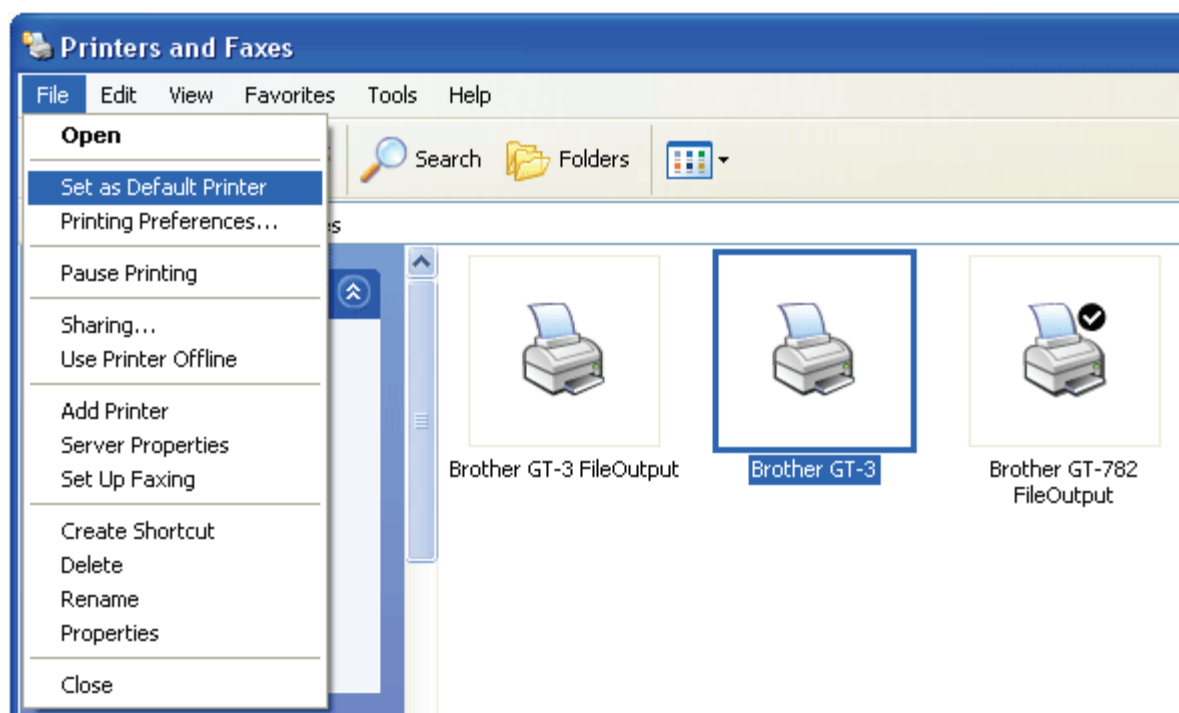
- (5) Select "Install the software automatically (Recommended)", and then click "Next". The installation starts. When "Hardware installation" dialog (not passed Windows Logo testing, see 3-3-2. (5)) appears during installation, Click "Continue Anyway". The installation continues.

<Note>

- If you connect the USB 2.0 cable anyway, the dialog to insert the install CD appears. Confirm that the Install CD is inserted properly, and then click "OK".
- If install CD is not in drive [D:], the following window appears. Click "Browse..." to select the CD drive, select GT-3.gpd in [32bit_OS] the folder and then click "OK". The installation continues.



- (6) Click "Finish" when "Completing the Found New Hardware Wizard" dialog.
 (7) Open "Printers and Faxes" in "Control Panel".
 (8) Click either "Brother GT-3" "Brother GT-3 FileOutput" icon and select "Set as Default Printer" on "File" menu. This will help to do the layout with your application software.
 The PC setup is now completed.



<Note> for installations of more than one GT-3 printer.

To connect another GT-3 to the PC, repeat the steps of "3-3-3. Connection with USB 2.0 Cable: for Windows XP". From the second GT-3, the printer names automatically become "GT-3 (copy X)". You can change the names as "GT-3 xxx" (e.g. "GT-3 #2") in the "Printer and Faxes" in the "Control Panel" for your workability.

3. Getting Started

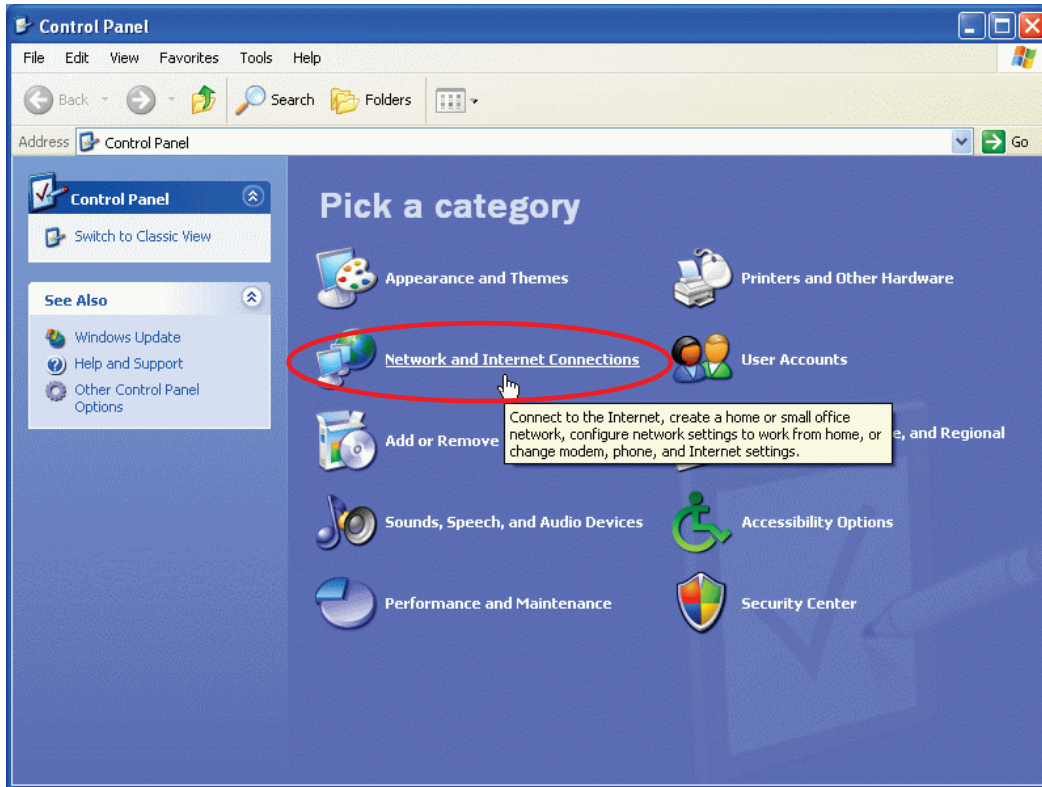
3-3-4. Network Setting: For Windows XP

3-3-4-1. Assignment of your computer's IP Address

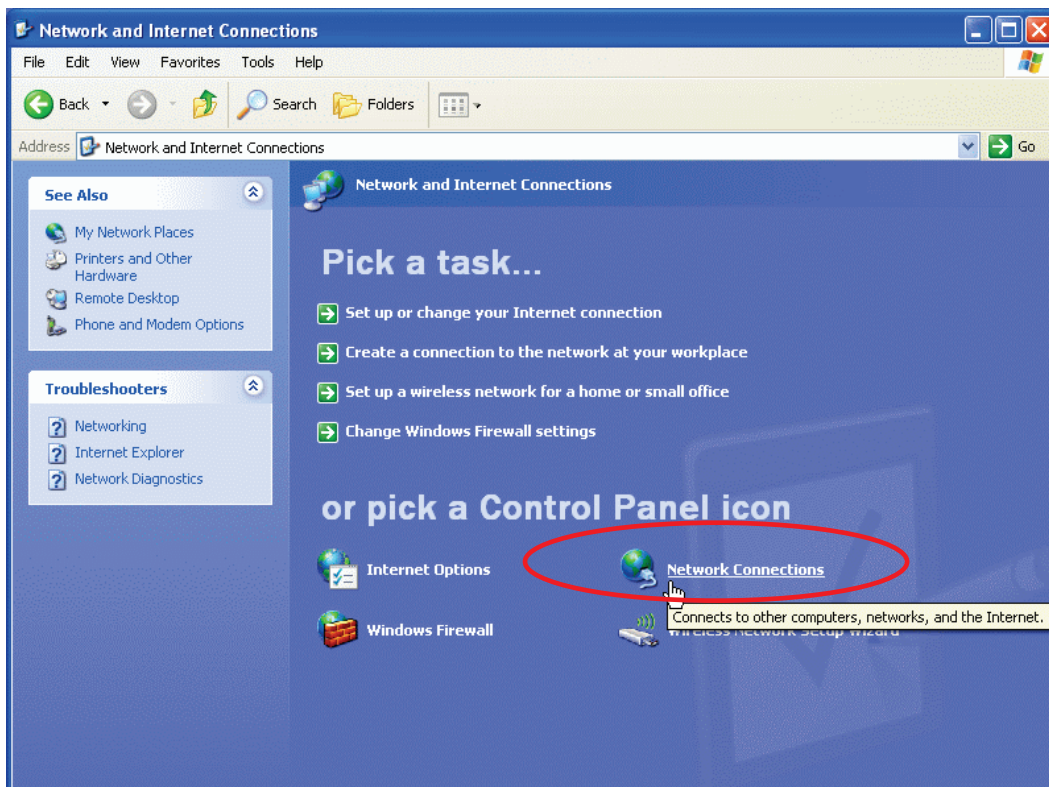
<Note>

Jump to “3-3-4-2. Assignment of GT-3's IP Address” if your PC has already been assigned IP address.

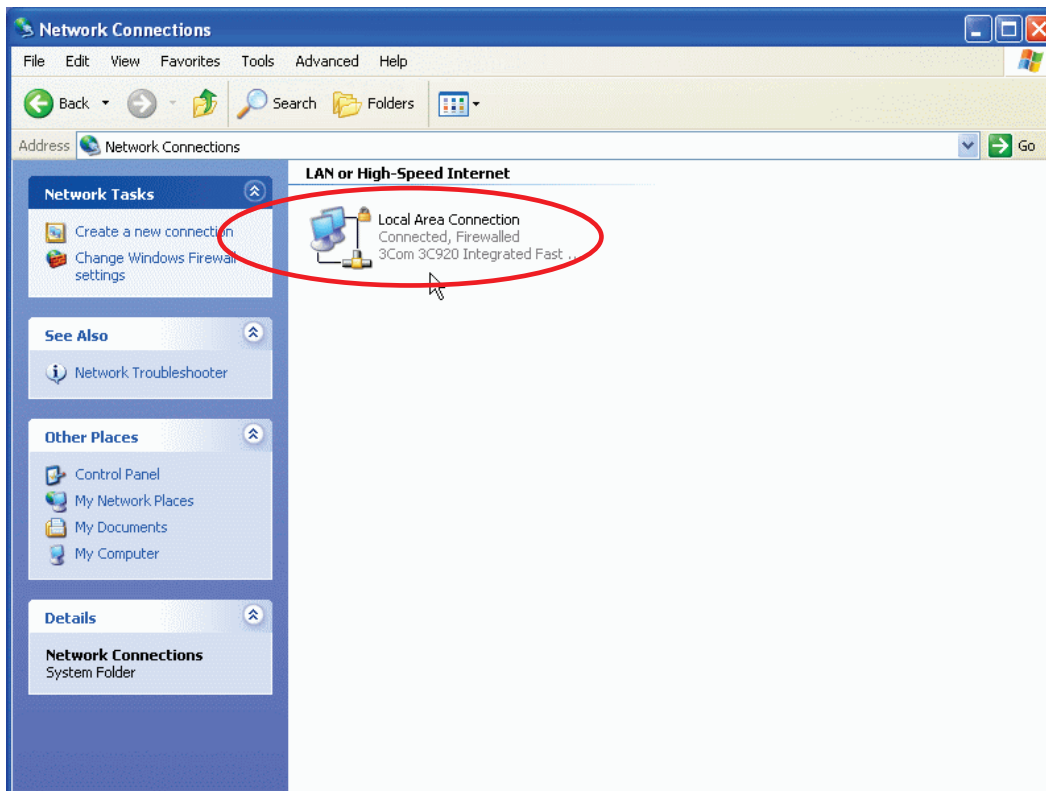
- (1) Select [Network and Internet Connection] in the Control Panel.



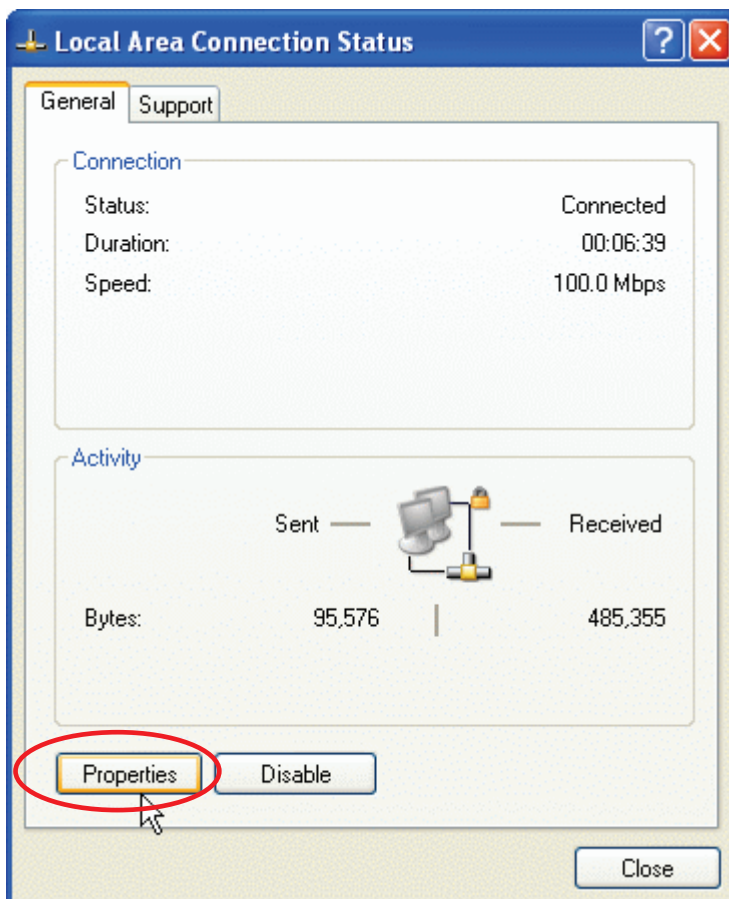
- (2) Select [Network Connection].



(3) Select [Local Area Connection].

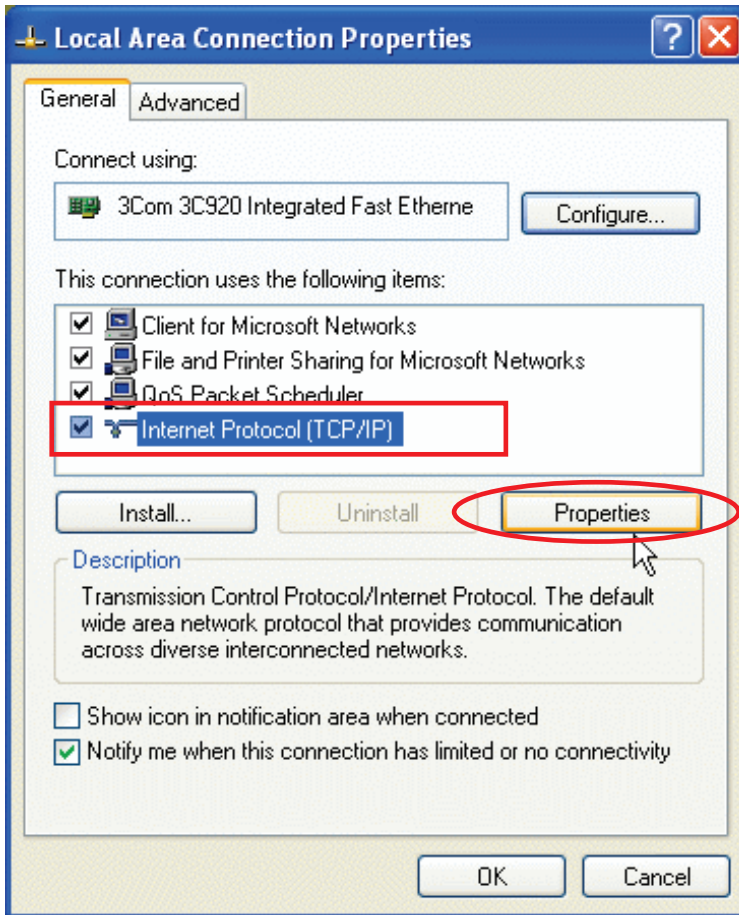


(4) Click the [Properties] Button.

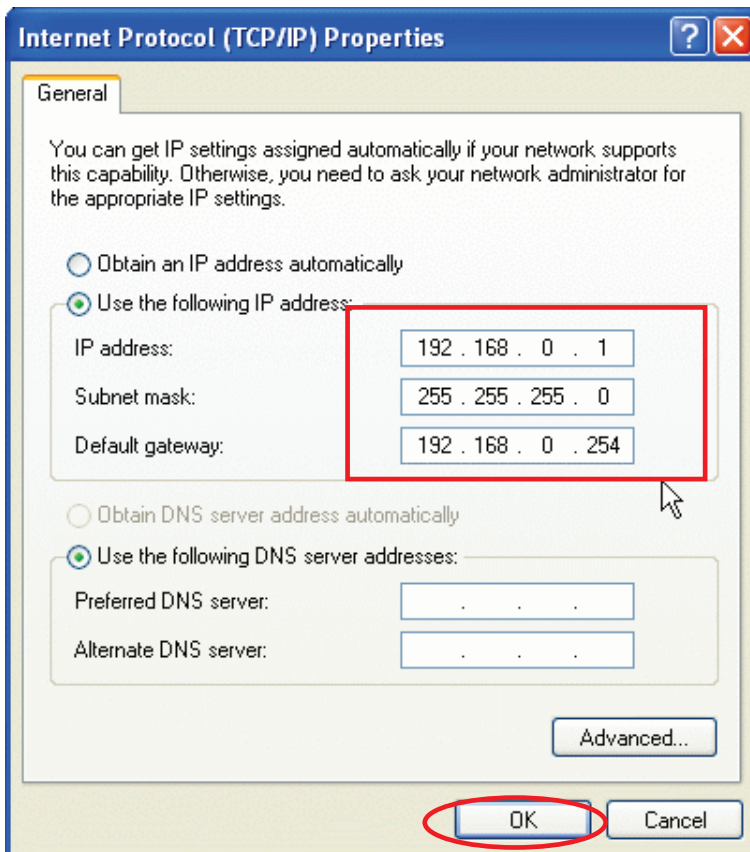


3. Getting Started

- (5) Select [Internet Protocol (TCP/IP)] and click the [Properties] Button.



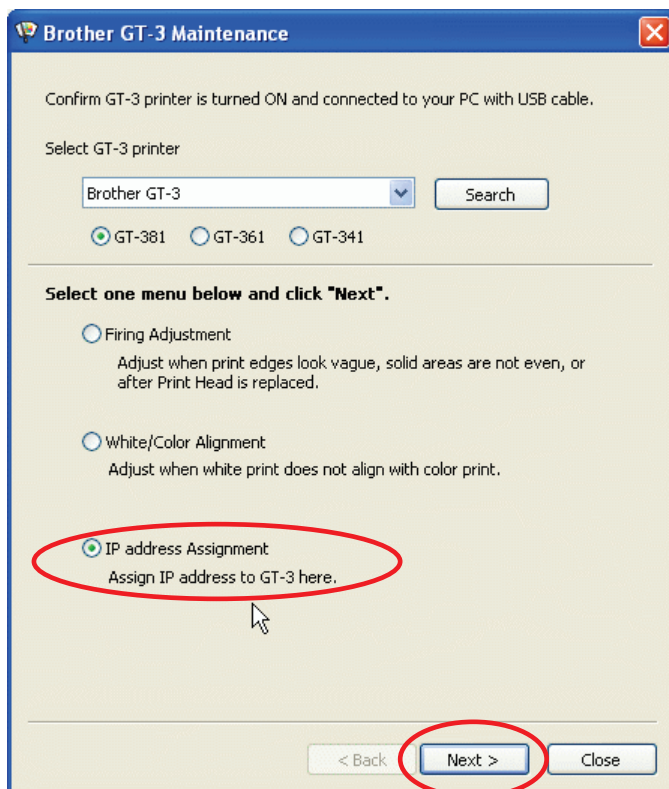
- (6) Assign the defined number of IP address, Subnet mask and Default gateway to your PC and click [OK] button. (The numbers below are examples.)



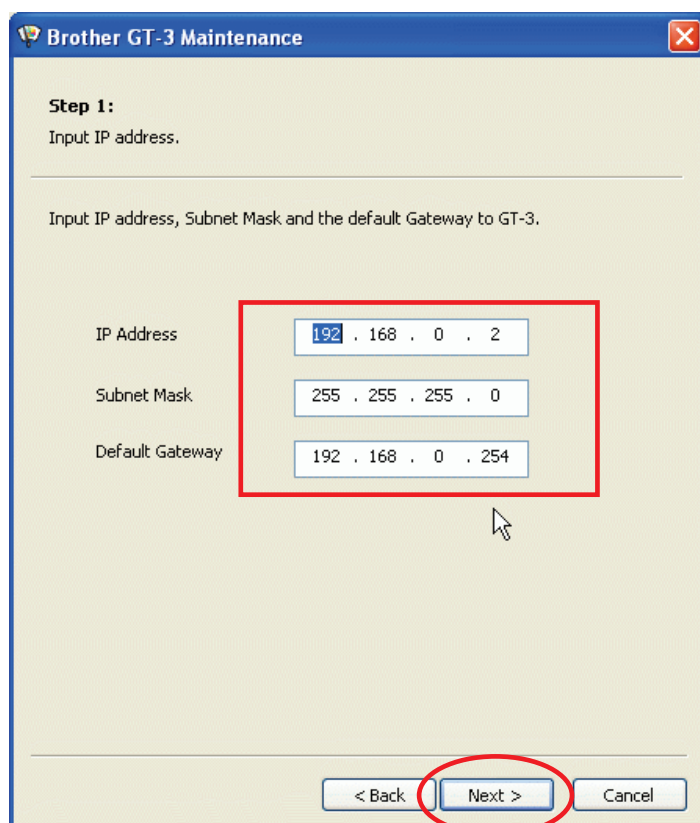
3-3-4-2. Assignment of GT-3's IP Address

Assign the GT-3's IP address after you finish assigning your computer's IP address.

- (1) Turn ON the GT-3 with your PC and GT-3 are connected with USB 2.0 cable. Execute the GT-3 Maintenance and select [IP address Assignment]. Click the [Next] Button.

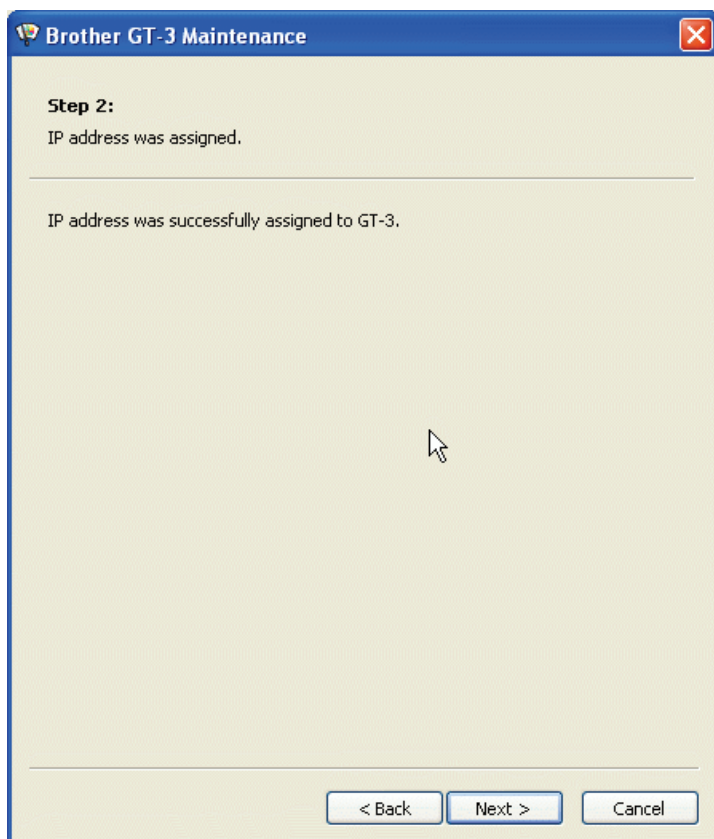


- (2) Assign the defined number of IP address, Subnet mask and Default gateway to GT-3, and click [OK] button. (The numbers below are examples.)



3. Getting Started

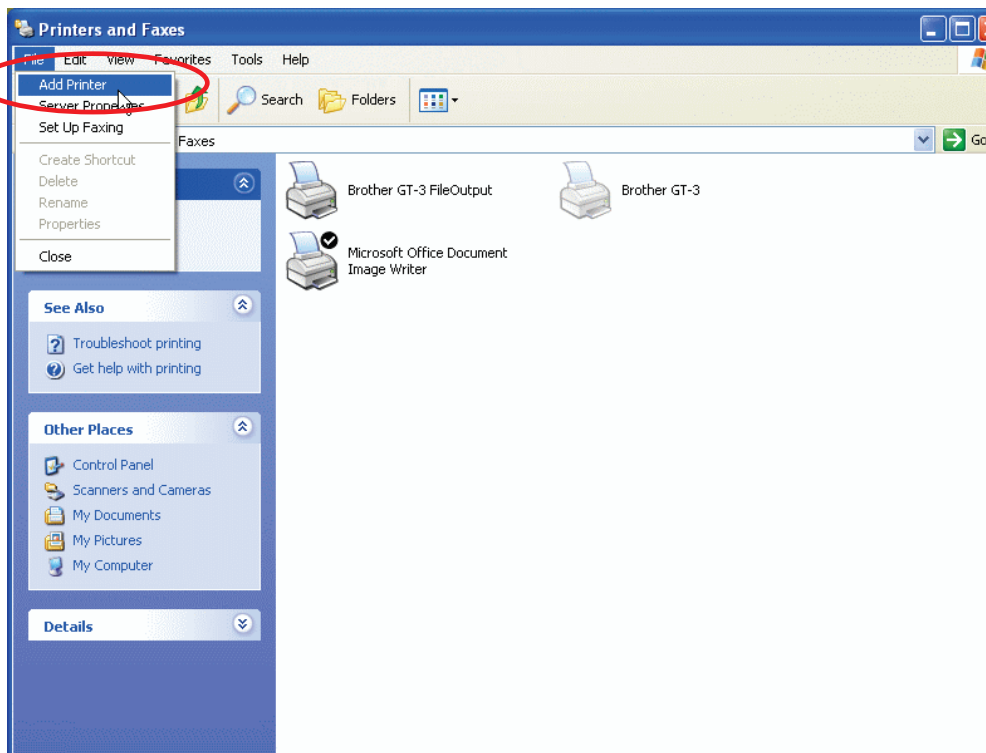
- (3) IP address is successfully assigned to GT-3.



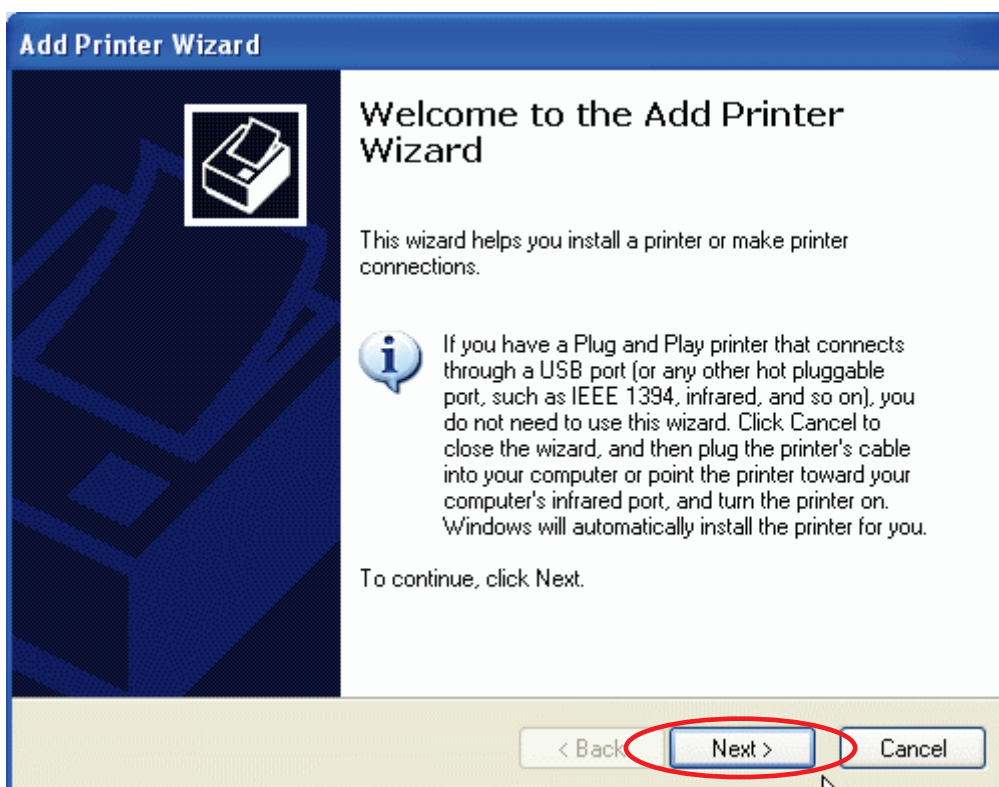
- (4) The error dialog appears if some irregular numbers are assigned as IP address in the step (2), Subset mask or Default gateway. Confirm the numbers and re-enter.

3-3-4-3. GT-3 Setting on the LAN

- (1) Connect your PC with GT-3 with LAN cable and turn ON the printer.
Select [Printers and Faxes] and select [File] > [Add Printer].

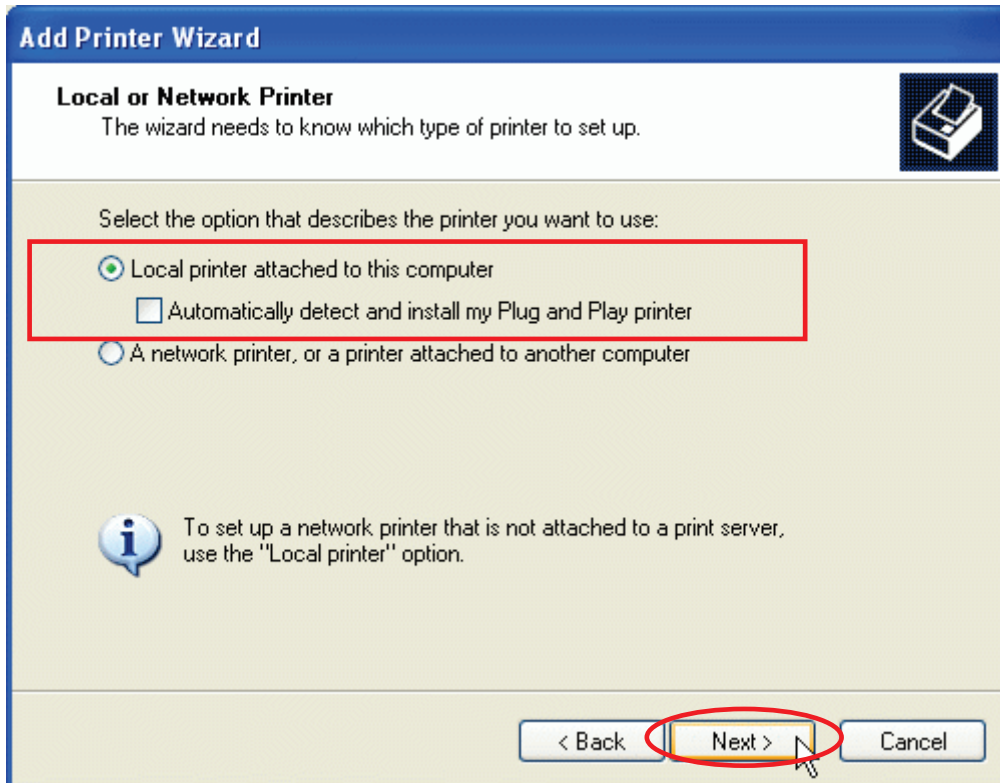


- (2) The Wizard starts. Click the [Next] Button.

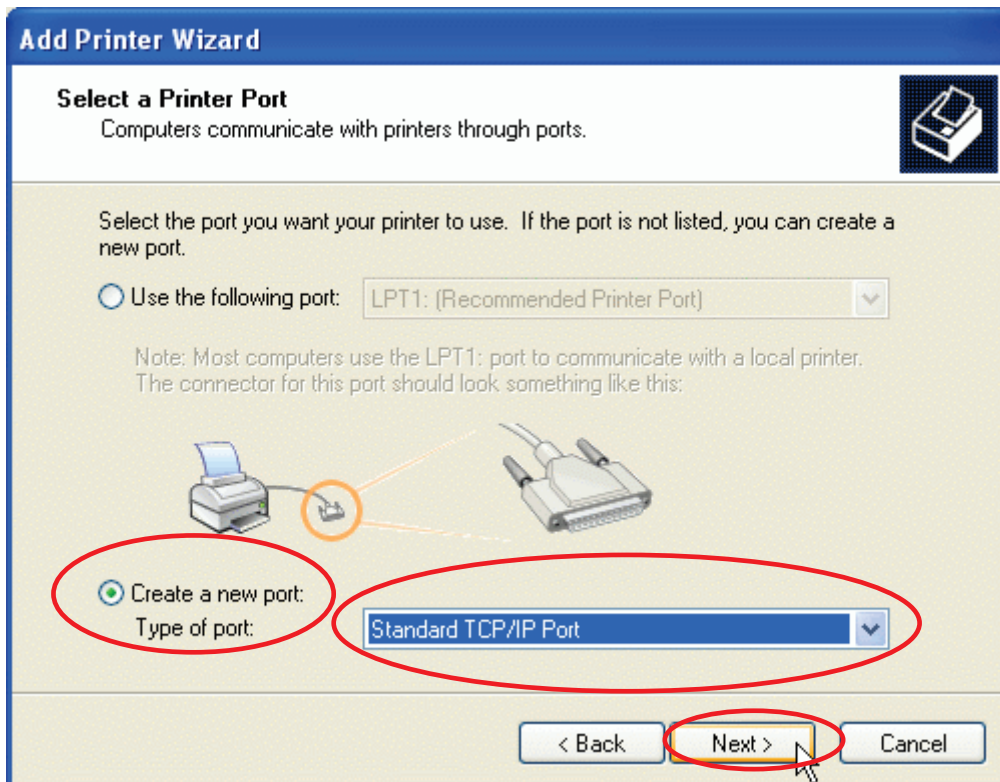


3. Getting Started

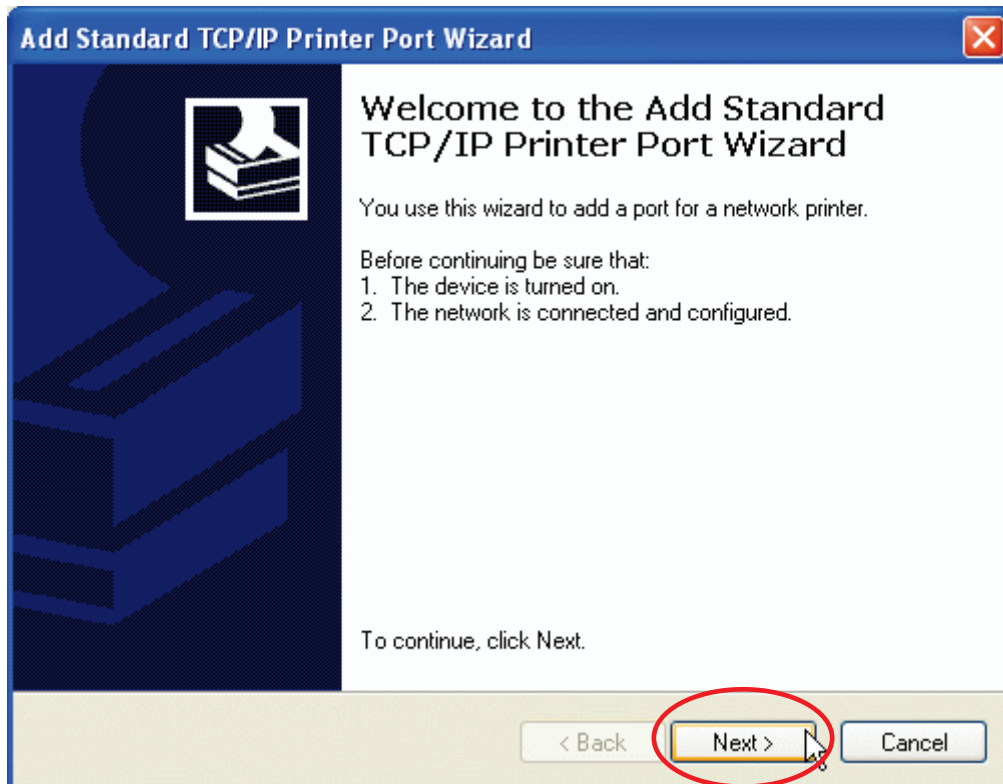
- (3) Select the [Local printer attached to this computer] and click the [Next] Button.



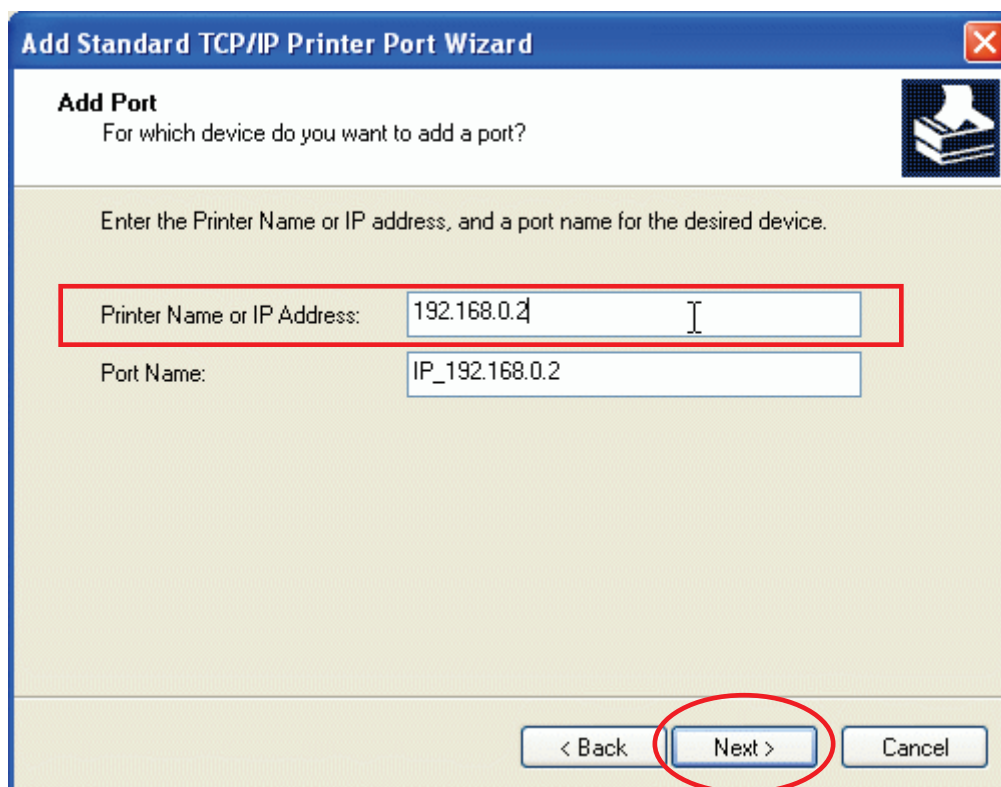
- (4) Select [Create a new port] and [Standard TCP/IP Port] as the Type of port. Click the [Next] Button.



- (5) The Wizard starts. Click the [Next] Button.

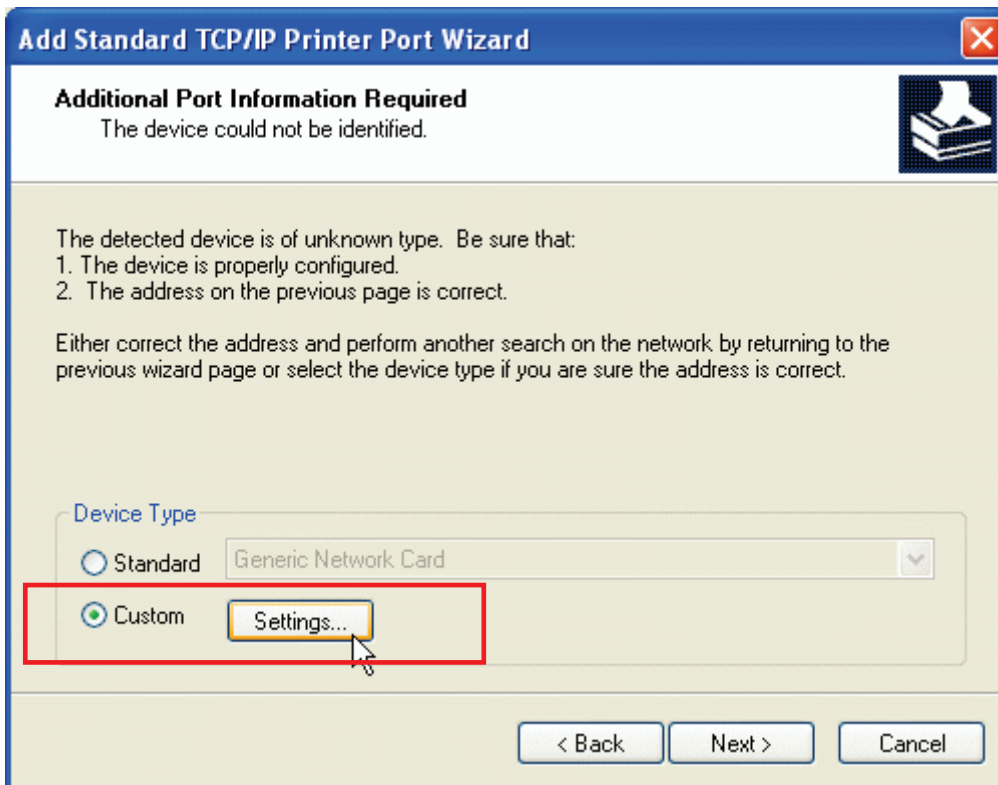


- (6) Input the IP address that you assigned in the Step (2) of “3-3-4-2. Assignment of GT-3’s IP Address” and click the [Next] Button.

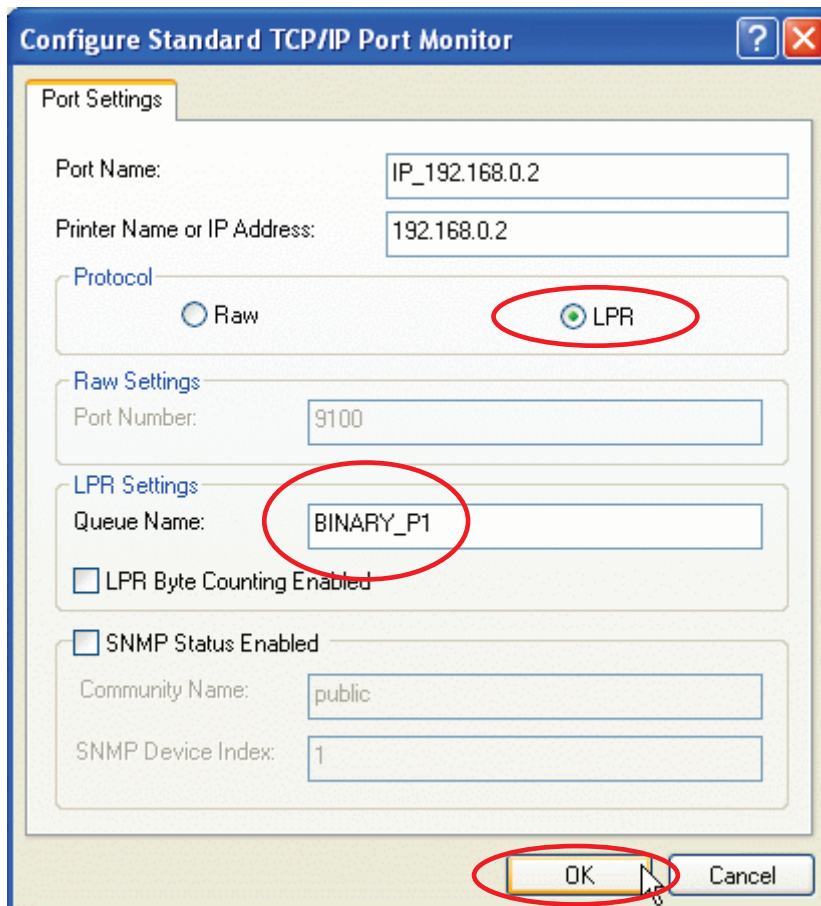


3. Getting Started

- (7) Wait for a while and then the dialog changes to the following [Add Standard TCP/IP Printer Port Wizard]. Select [Custom] in the Device Type and click the [Settings...] Button.

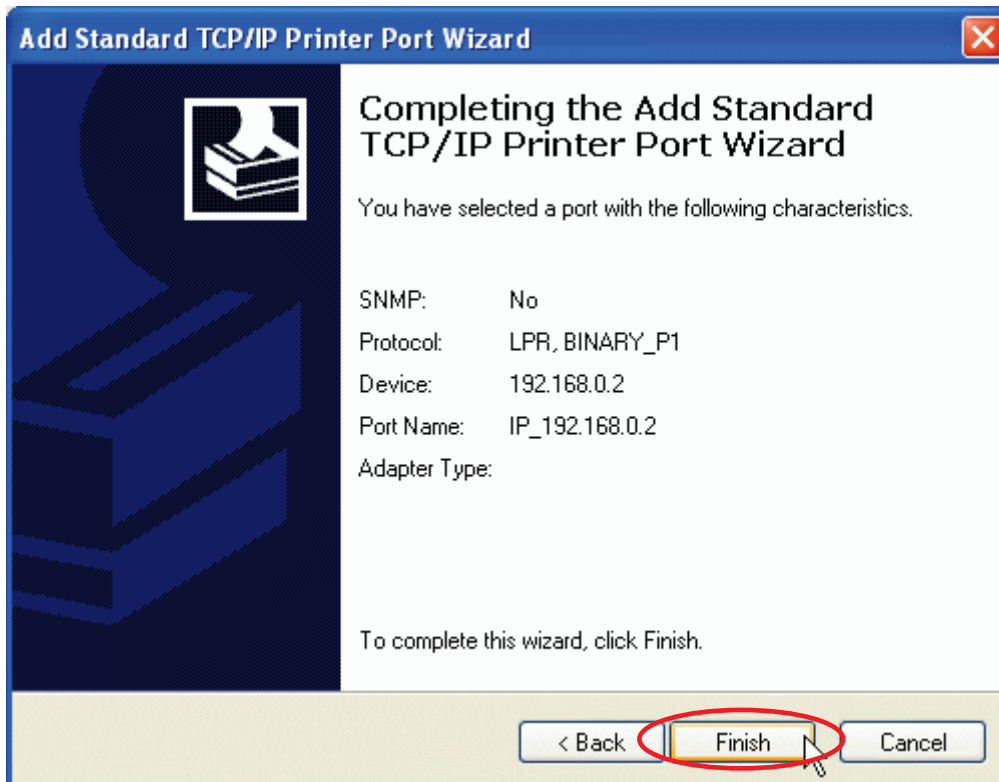


- (8) Select [LRP] in Protocol, input [BINARY_P1] in Queue Name of LPR Settings, and click the [OK] Button.

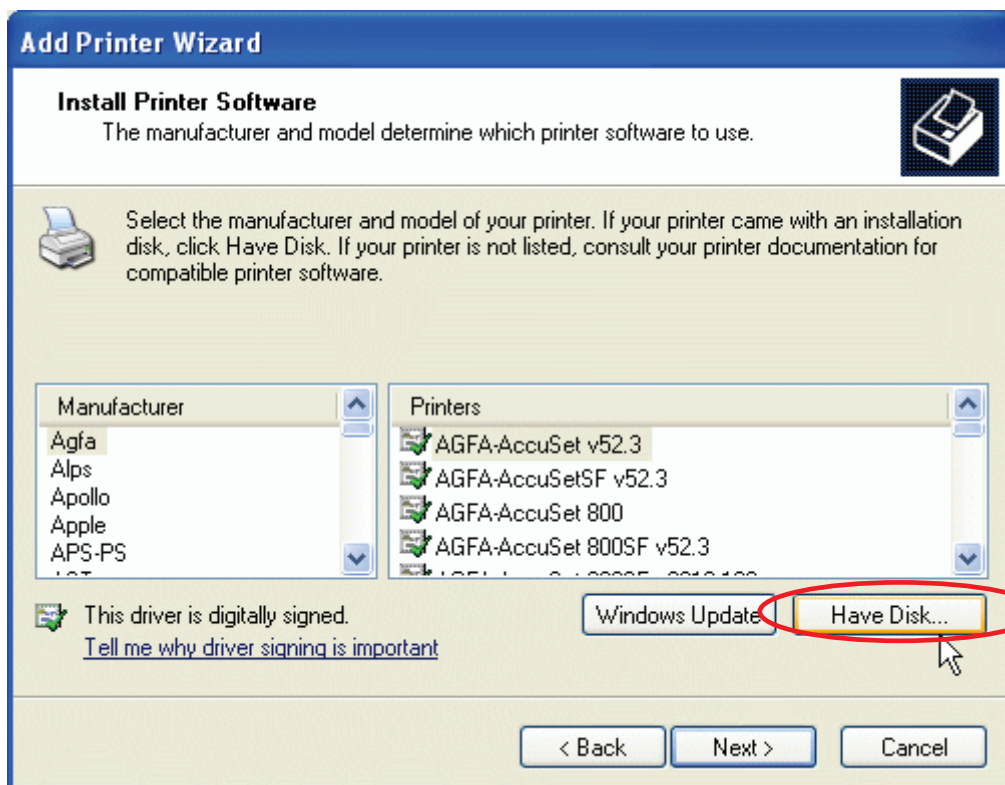


- (9) The Wizard will soon go back to the Step (7). Click the [Next] Button.

(10) [Add Standard TCP/IP Printer Port Wizard] is finished. Click the [Finish] Button.

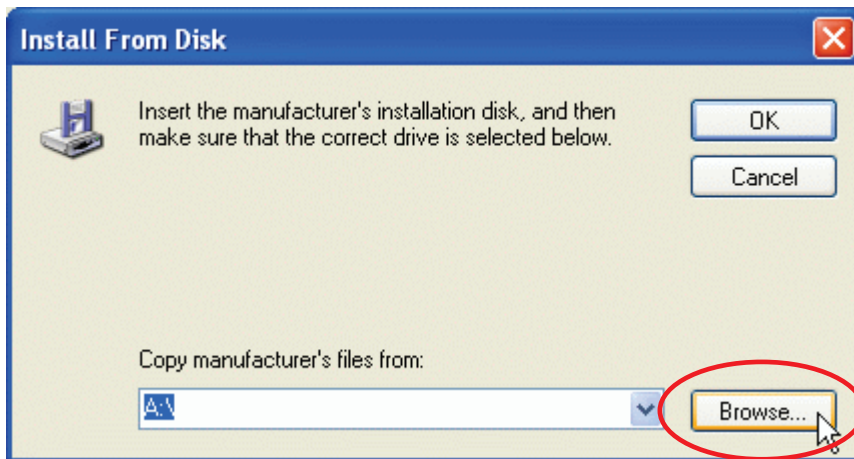


(11) The dialog goes back to the [Add Printer Wizard] and the Install Printer Software starts. Click the [Have Disk] Button.

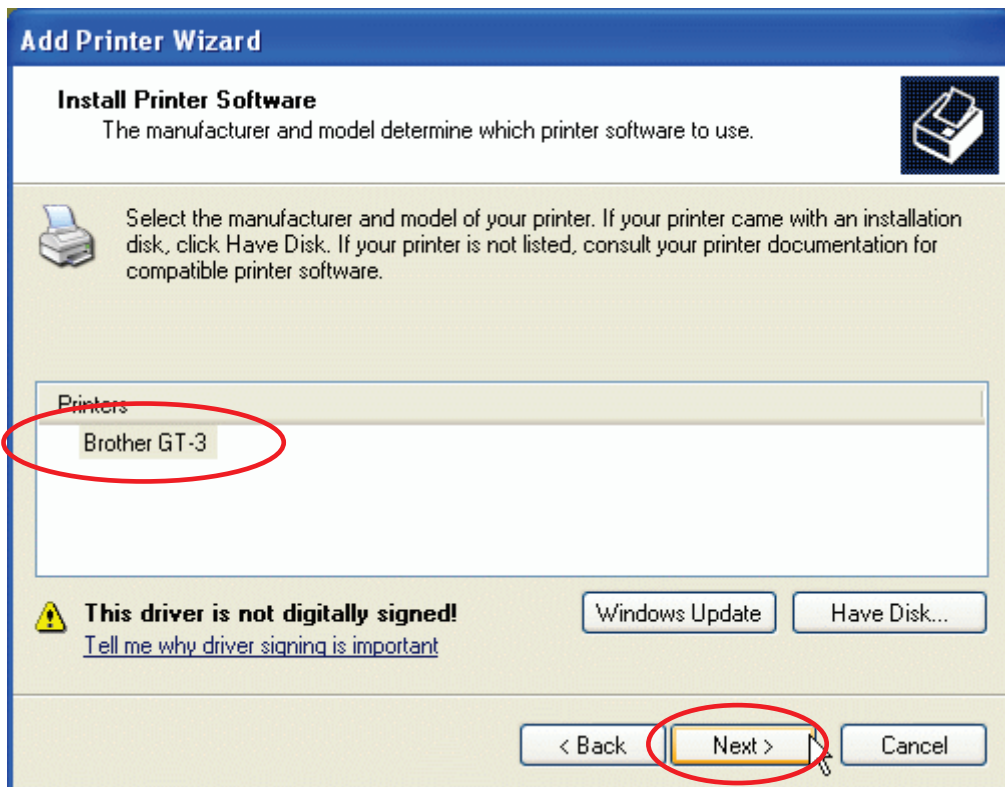


3. Getting Started

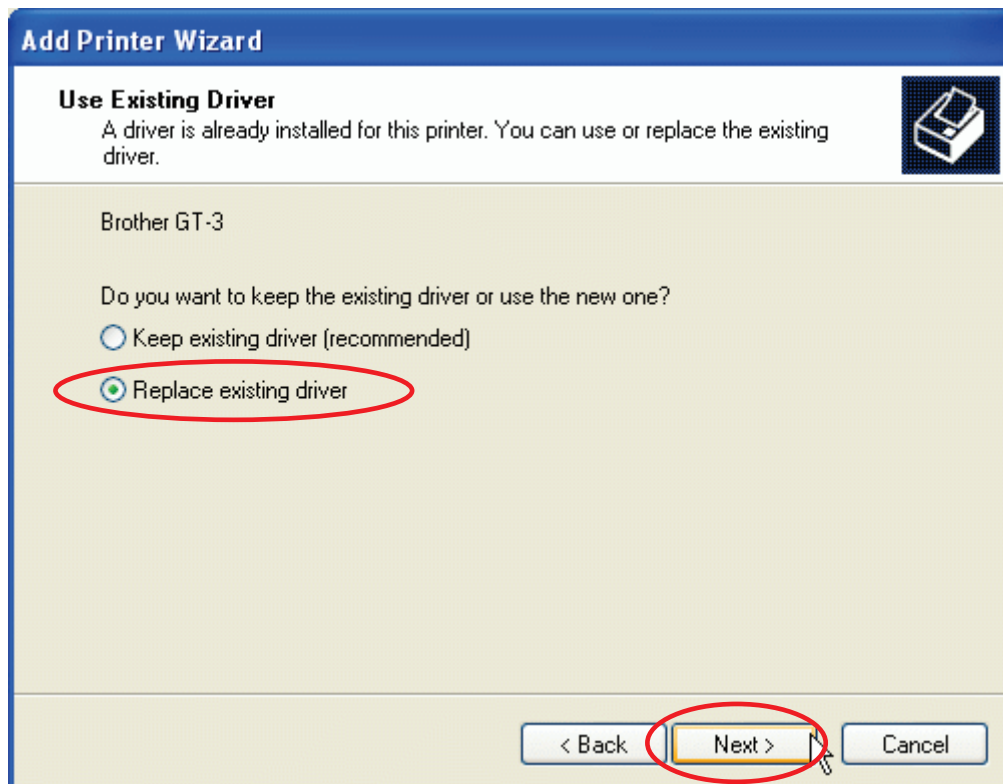
- (12) Click the [Browse...] Button and select the [32bit_OS] folder in the Installer, and then click the [OK] Button. (Only 32 bit OS is available for Windows XP.)



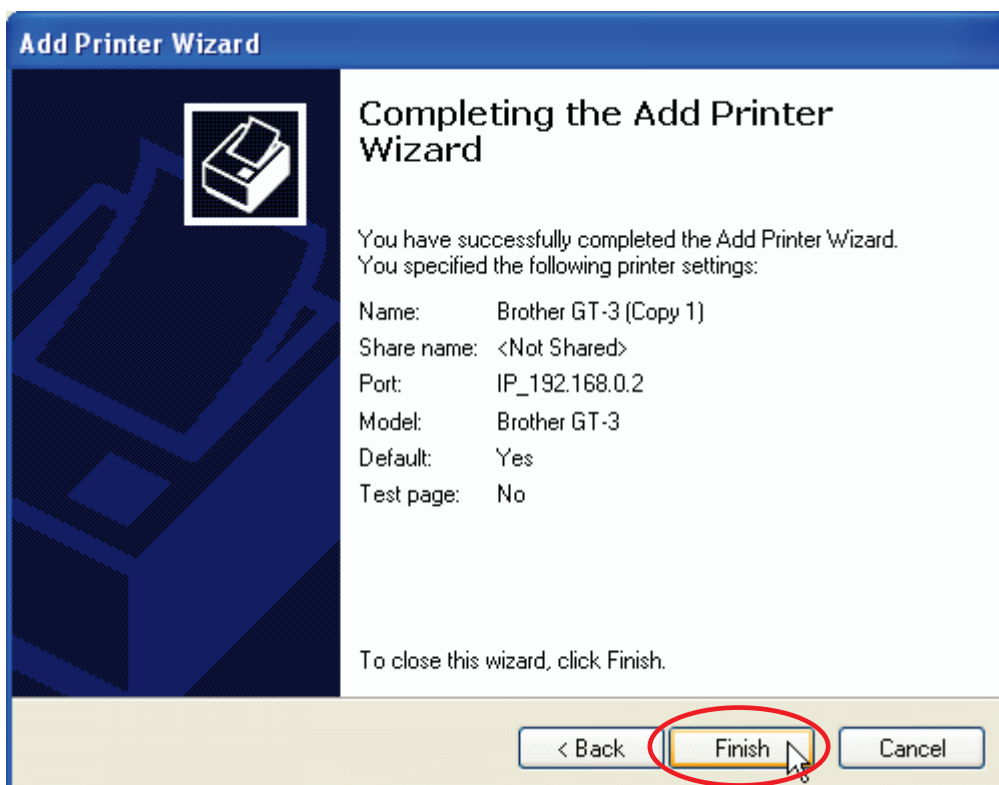
- (13) Confirm that [Brother GT-3] should be selected in the Printers, and click the [Next] Button.



- (14) Select [Replace existing driver] and click the [Next] Button.



- (15) The dialog shows "Set as Default Printer (better to select GT-3 File Output Printer Driver as Default Printer)", "Share name: Not shared" and "Test Page: No" and click the [Next] Button.
- (16) The final dialog appears to show that GT-3 has successfully added to your PC. Click [Finish] Button to finish the Wizard.



3. Getting Started

3-3-5. Installation of PC for Windows Vista / Windows 7 / Windows 8 (32 bit / 64 bit)

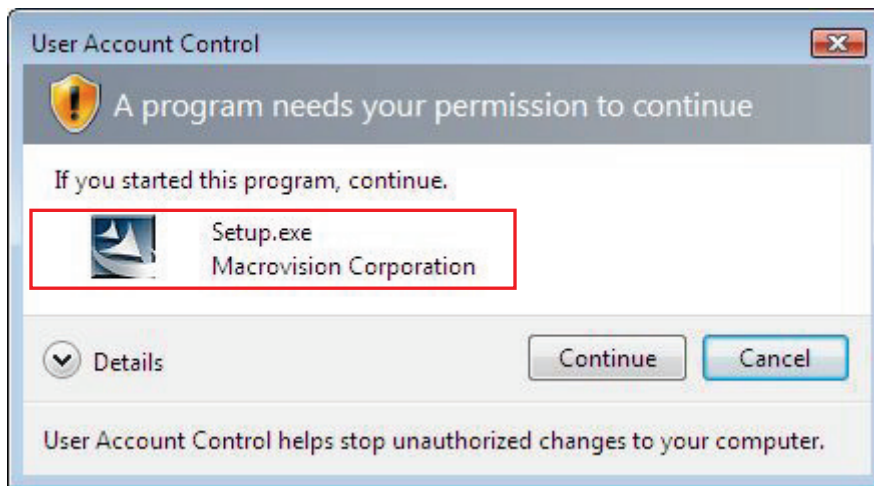
Refer first to "3-3-2. PC preparation: For Windows XP (32 bit)" and confirm the process. Install the file Output Printer Driver "Brother GT-3 FileOutput" first to your PC. Tools and manuals are installed together from Install CD, and PC must be restarted. Then PC is connected to USB 2.0 cable, the printer turned ON, and USB 2.0 cable connected to the printer. Connect with USB 2.0 Cable first and then connect to the LAN by following the steps in this Instruction Manual.

**Install File Output Printer Driver "Brother GT-3 FileOutput" first to your PC
Do not connect the printer to the PC at this stage.**

<Note>

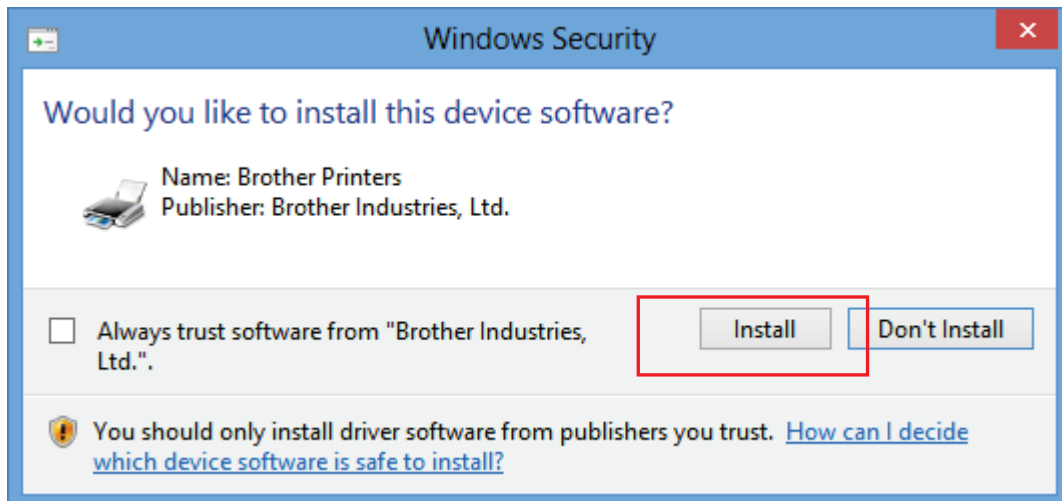
You must be logged on with Administrator rights on the PC.

- (1) Turn on your PC.
- (2) Close all open applications
- (3) Insert the Install CD (included) to your PC.
Open the CD-ROM drive and double-click "Setup.exe".
- (4) The monitor turns dark and the following dialog appears when User Account Control is ON. Select "Continue".



- (5) The Installer starts installation. Follow the indications of the dialogs.

(6) During the installation, the following dialog appears. Click "Install" and continue.



Windows 8

(7) After installation, your PC will need to restart. Remove your Install CD and restart your PC. If you are going to use your printer without connecting it to your PC, this will be the end of PC preparation.

3-3-6. Connection with USB 2.0 Cable: for Windows Vista / Windows 7 / Windows 8

- (1) Connect the USB 2.0 cable to your printer (power OFF).
- (2) Connect the other end of the USB 2.0 Cable to your PC.
- (3) Turn ON your GT-3 printer. Installation starts automatically. The information appears at the right bottom of the PC monitor.
- (4) After installation, open "Printers" in "Control Panel" of PC.
- (5) Click either "Brother GT-3" or Brother GT-3 FileOutput icon and select "Set as Default Printer" on "File" menu. This will help to do the layout with your application software. The PC setup is now completed.

3. Getting Started

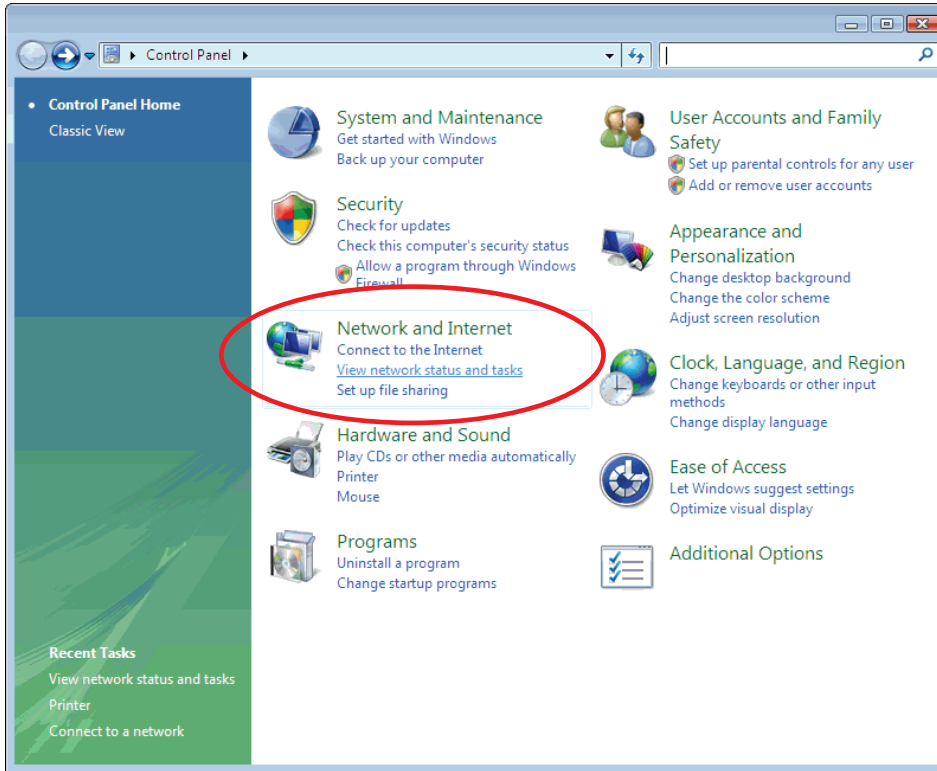
3-3-7. Network Setting: For Windows Vista / Windows 7 / Windows 8

3-3-7-1. Assignment of your computer's IP address

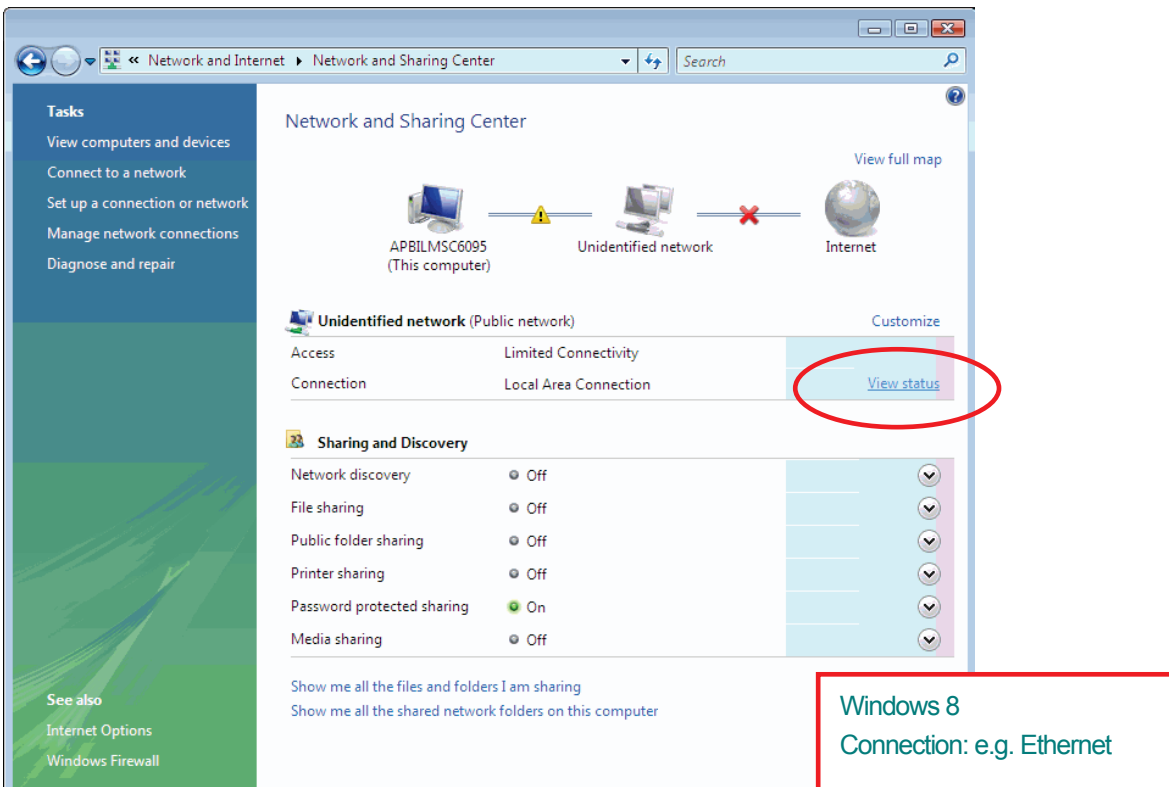
<Note>

Jump to "3-3-7-2. Assignment of GT-3's IP Address" if your PC has already been assigned IP address.

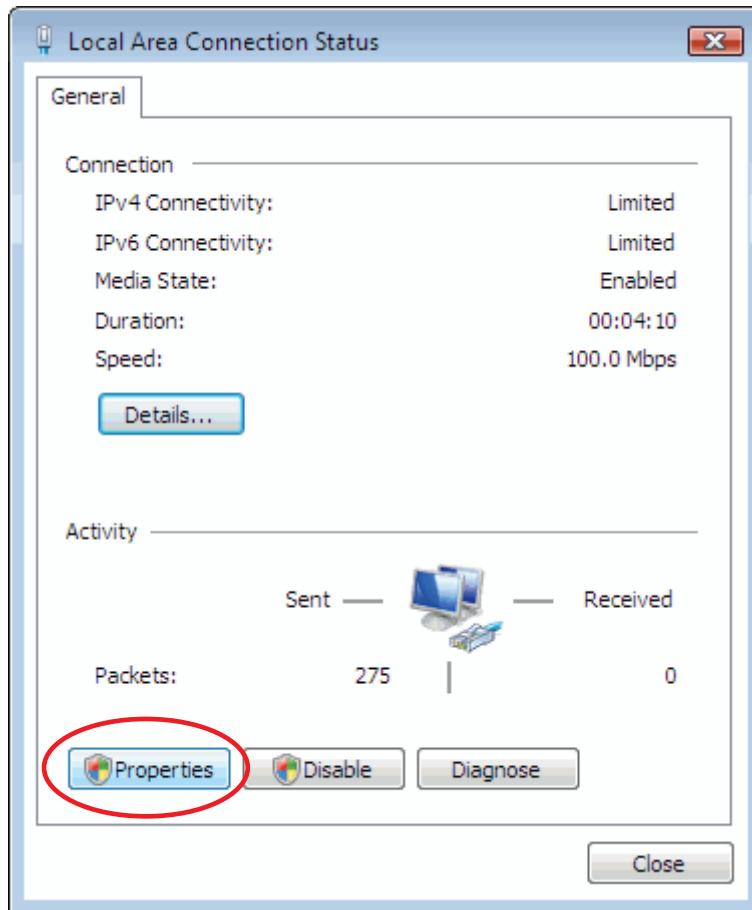
- (1) When your PC has not been assigned IP address, connect your PC to the Network with LAN cable first and then select [Network and Internet] and select [Network and Sharing Center].



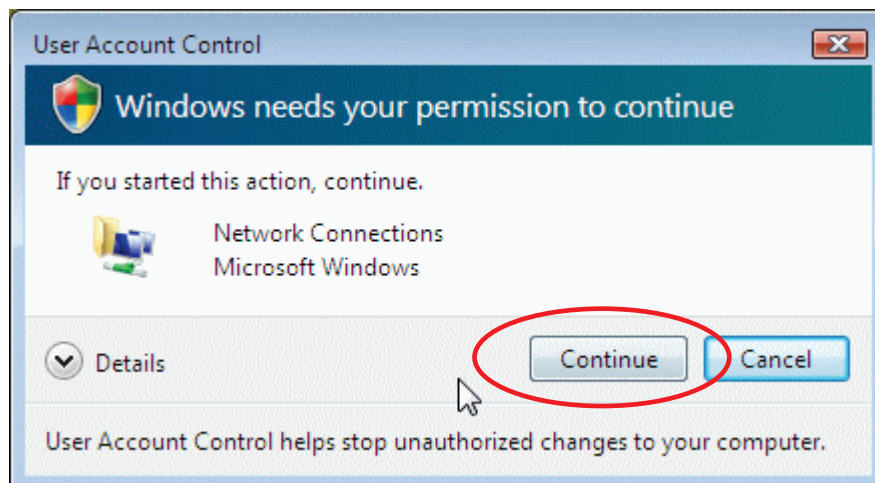
- (2) Select [View status] in the Local Area Connection (Windows 7) where you are going to assign the IP address.



- (3) Click the [Properties] Button.

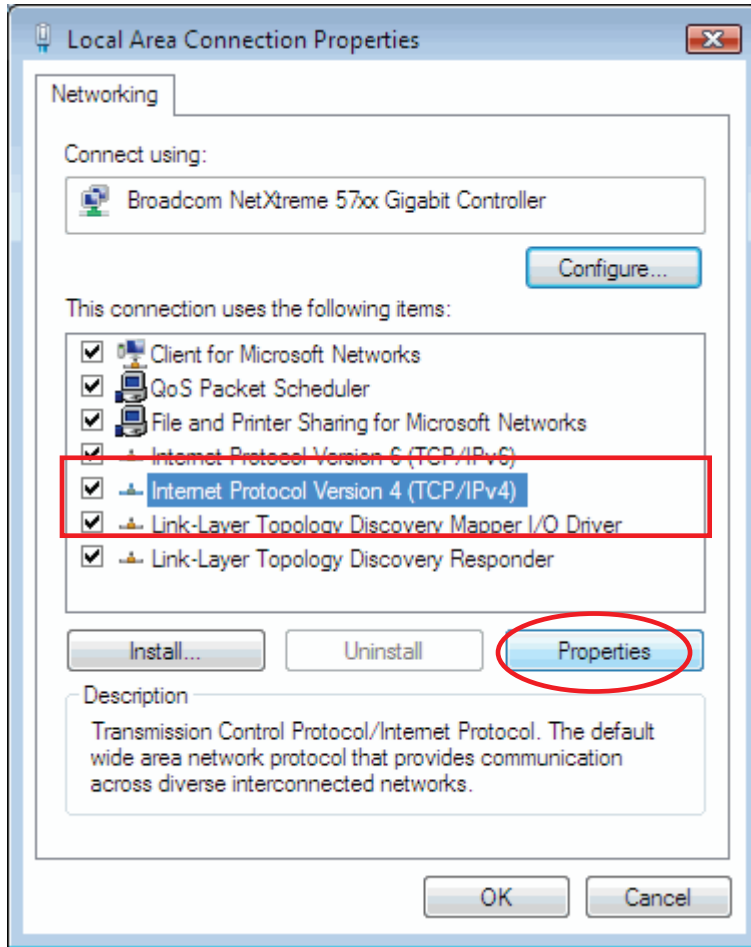


- (4) The following caution appears when [User Account Control] is ON. Select [Continue] Button to go next.

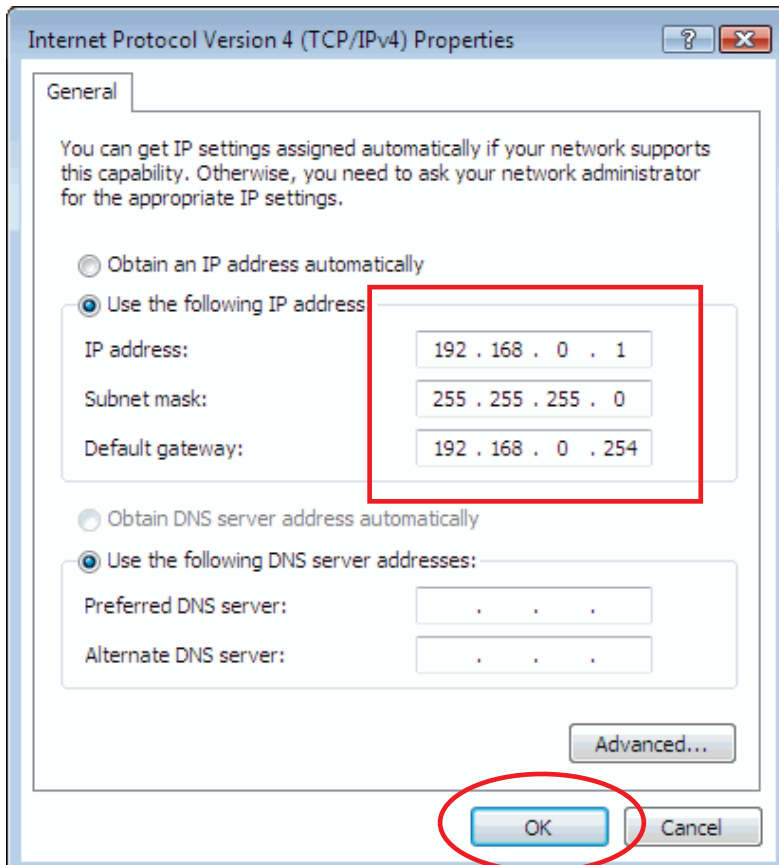


3. Getting Started

- (5) Select [Internet Protocol Version 4 (TCP/IPv4)] and click the [Properties] Button.



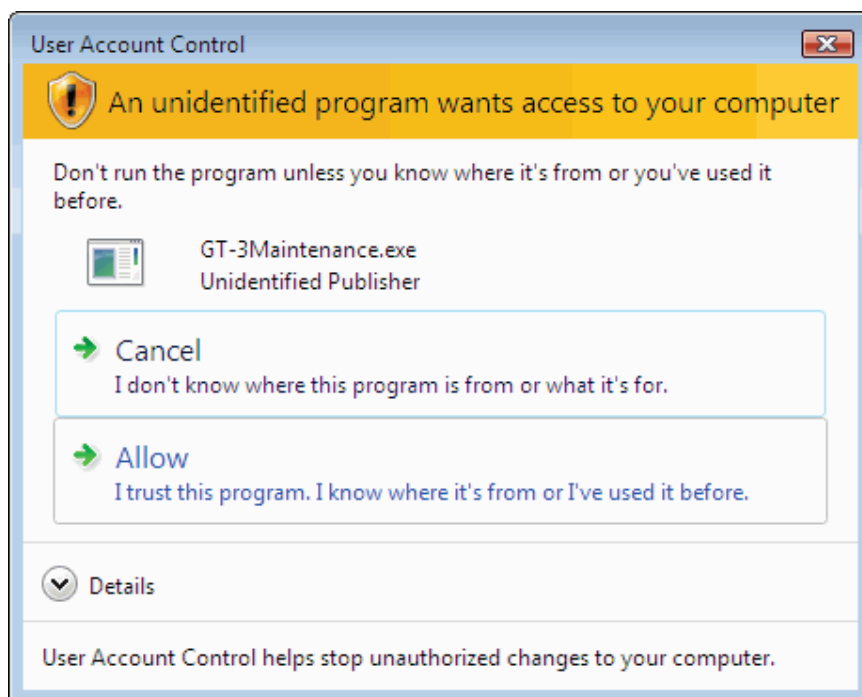
- (6) Assign the defined number of IP address, Subnet mask and Default gateway to your PC and click [OK] button. (The numbers below are examples.)



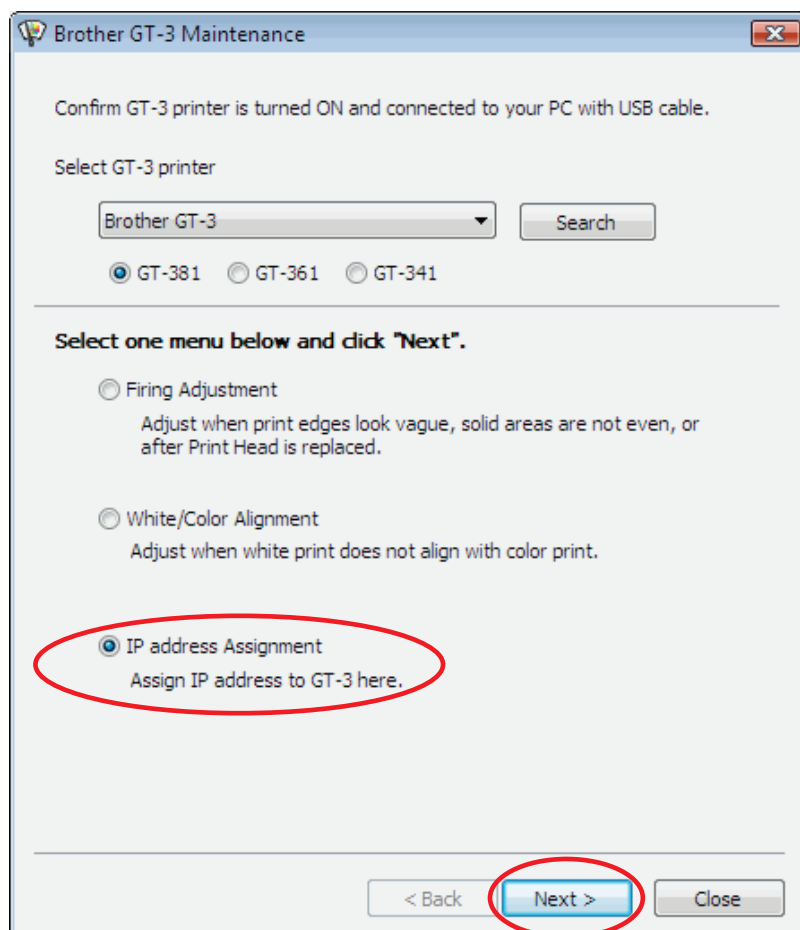
3-3-7-2. Assignment of GT-3's IP Address

Assign the GT-3's IP address after you finish assigning your computer's IP address.

- (1) The following caution appears when [User Account Control] is ON. Select [Allow] Button to go next.



- (2) Turn ON the GT-3 with your PC and GT-3 are connected with USB 2.0 cable. Execute the GT-3 Maintenance and select [IP address Assignment]. Click the [Next] Button.



3. Getting Started

- (3) Assign the defined number of IP address, Subnet mask and Default gateway to GT-3, and click [OK] button. (The numbers below are examples.)

Brother GT-3 Maintenance

Step 1:
Input IP address.

Input IP address, Subnet Mask and the default Gateway to GT-3.

IP Address: 192 . 168 . 0 . 2

Subnet Mask: 255 . 255 . 255 . 0

Default Gateway: 192 . 168 . 0 . 254

< Back **Next >** Cancel

- (4) IP address is successfully assigned to GT-3.

Brother GT-3 Maintenance

Step 2:
IP address was assigned.

IP address was successfully assigned to GT-3.

< Back **Next >** Cancel

- (5) The error dialog appears if some irregular numbers are assigned as IP address in the step (3), Subnet mask or Default gateway. Confirm the numbers and re-enter.

3-3-7-3. GT-3 Setting on the LAN

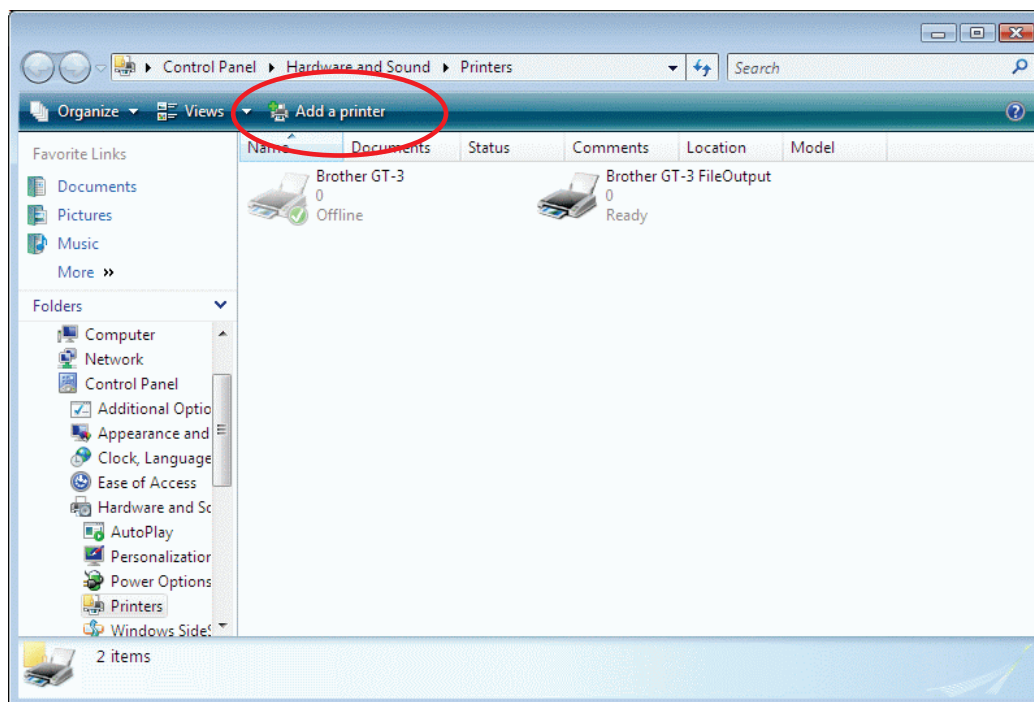
- (1) Connect your PC with GT-3 with LAN cable and turn ON the printer.

Windows Vista: Select [Printers] from the [Control Panel].

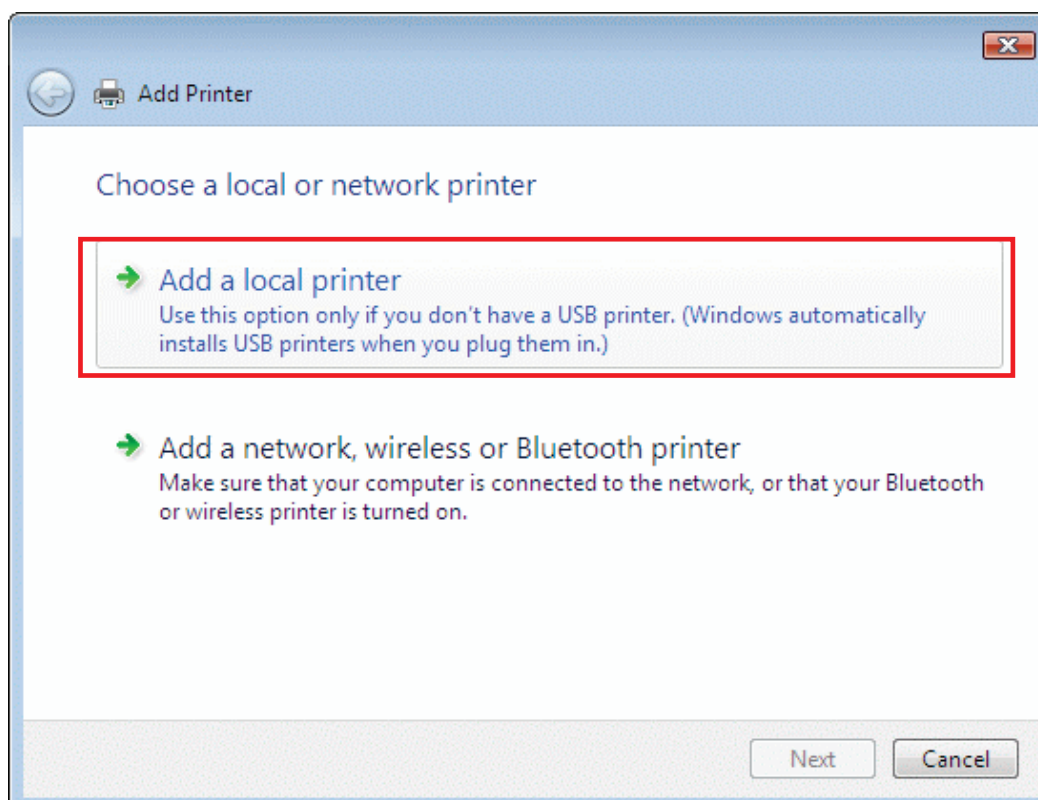
Windows 7: Select [Devices and Printers] from the [Control Panel].

Windows 8: Select [View devices and printers] from the [Control Panel].

Select [Add a printer].

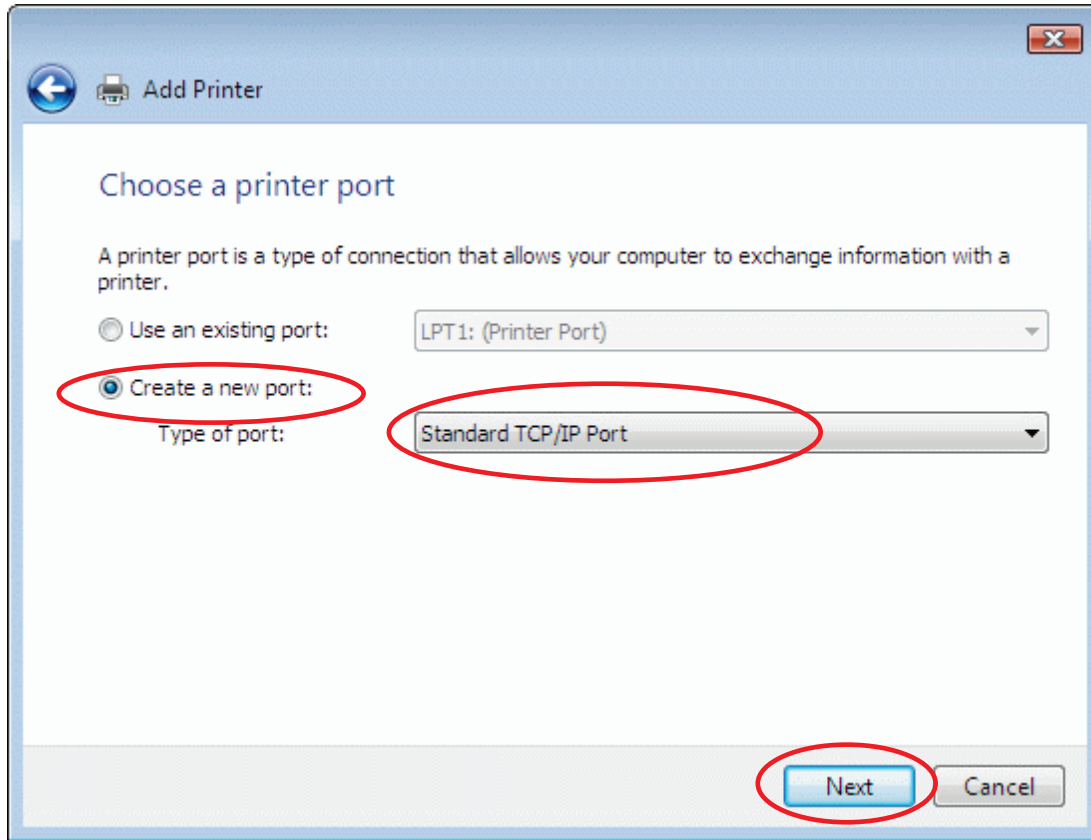


- (2) Select [Add a local printer].

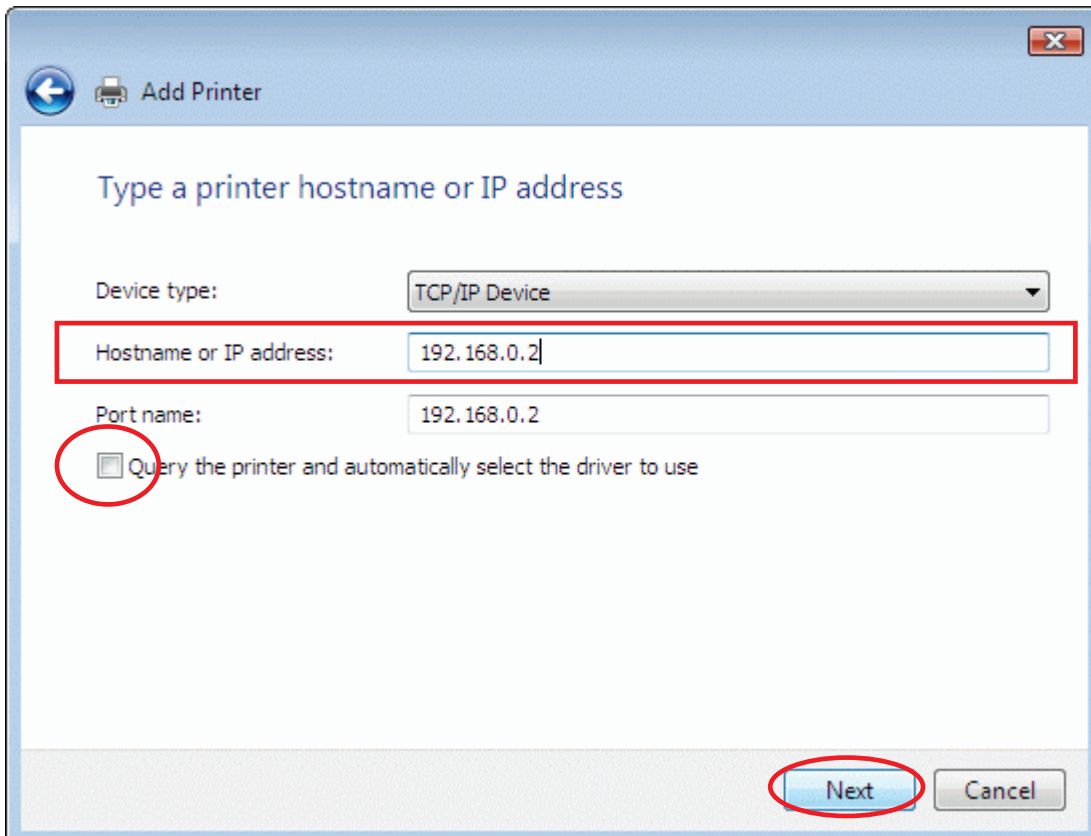


3. Getting Started

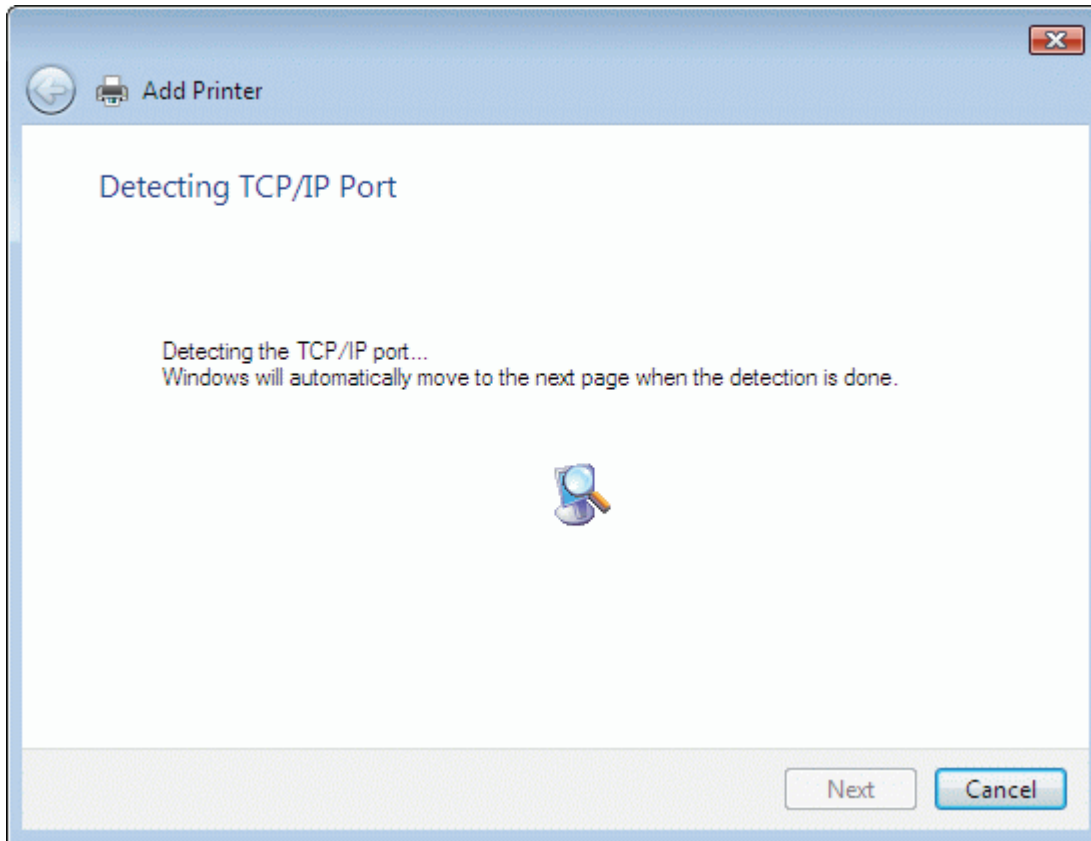
- (3) Select [Create a new port] and [Standard TCP/IP Port] as the Type of port. Click the [Next] Button.



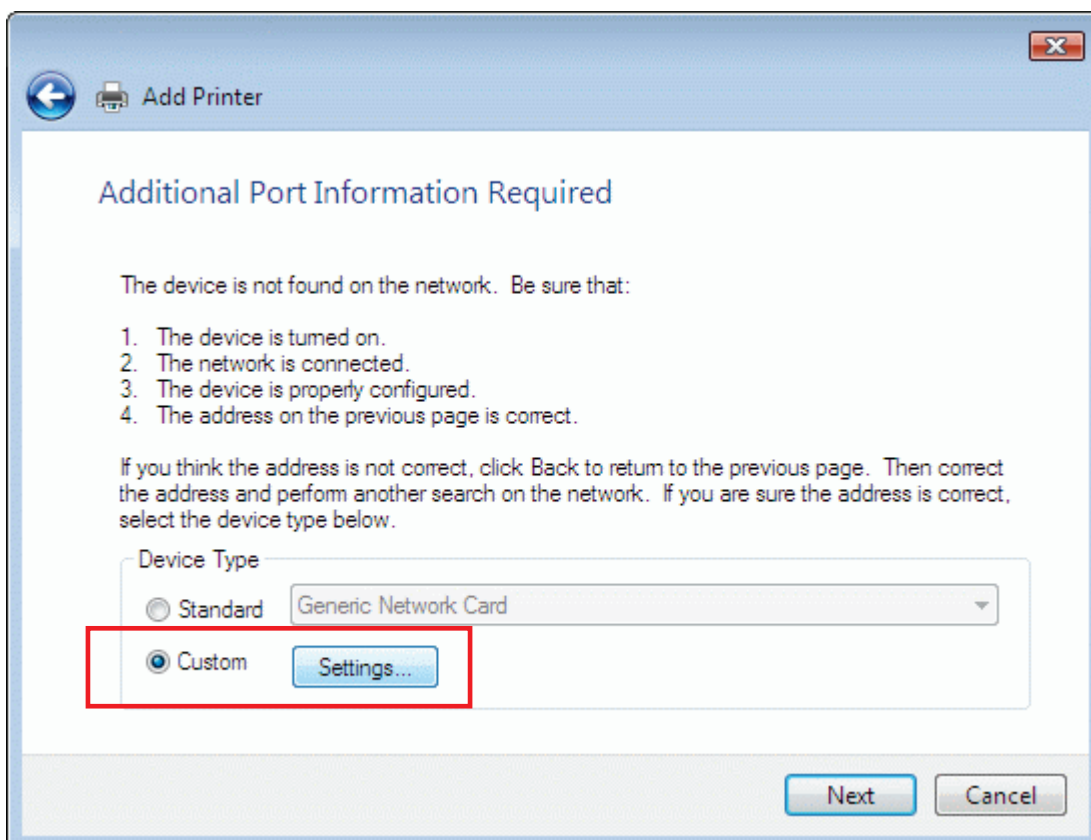
- (4) Input the IP address that you assigned in the Step (3) of “3-3-7-2. Assignment of GT-3’s IP Address”, and turn OFF the check box [Query the printer and automatically select the driver to use]. Click the [Next] Button.



- (5) The following “Detecting TCP/IP Port” dialog appears and then it changes automatically to “Add Printer”.



- (6) The message “The device is not found on the network” appears. Select [Custom] and click the [Settings...] Button.



3. Getting Started

- (7) Select [LRP] in Protocol, input [BINARY_P1] in Queue Name of LPR Settings, and click the [OK] Button.

Configure Standard TCP/IP Port Monitor

Port Settings

Port Name: 192.168.0.2

Printer Name or IP Address: 192.168.0.2

Protocol

Raw LPR

Raw Settings

Port Number: 9100

LPR Settings

Queue Name: BINARY_P1

LPR Byte Counting Enabled

SNMP Status Enabled

Community Name: public

SNMP Device Index: 1

OK Cancel

- (8) The Wizard will soon go back to the Step (6). Click the [Next] Button.

Add Printer

Additional Port Information Required

The device is not found on the network. Be sure that:

1. The device is turned on.
2. The network is connected.
3. The device is properly configured.
4. The address on the previous page is correct.

If you think the address is not correct, click Back to return to the previous page. Then correct the address and perform another search on the network. If you are sure the address is correct, select the device type below.

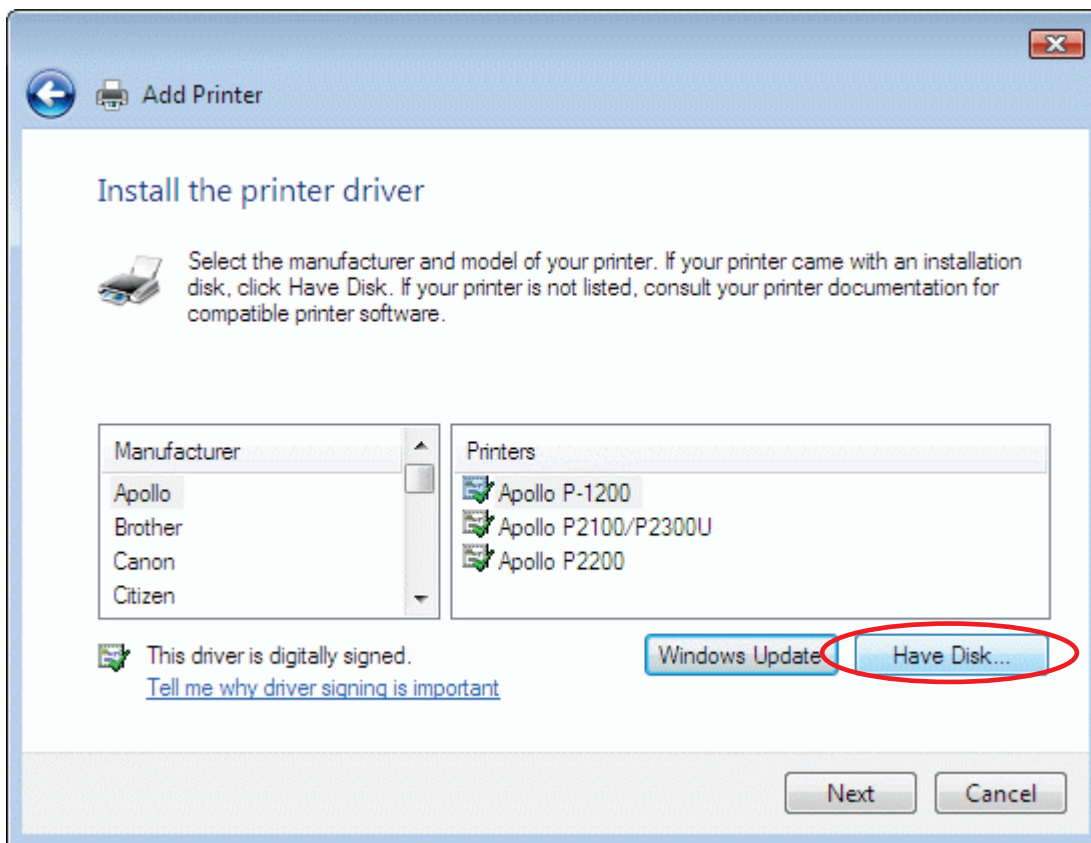
Device Type

Standard Generic Network Card

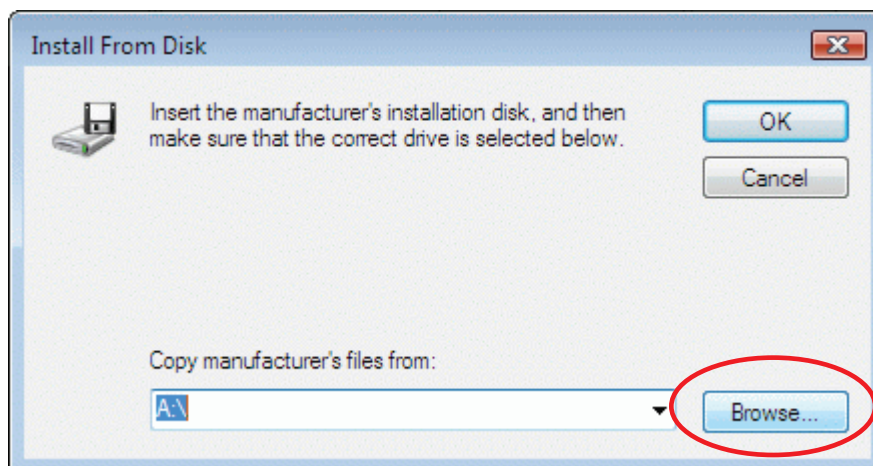
Custom Settings...

Next Cancel

- (9) The dialog goes back to the [Add Printer] and the Install Printer Software starts. Click the [Have Disk] Button.

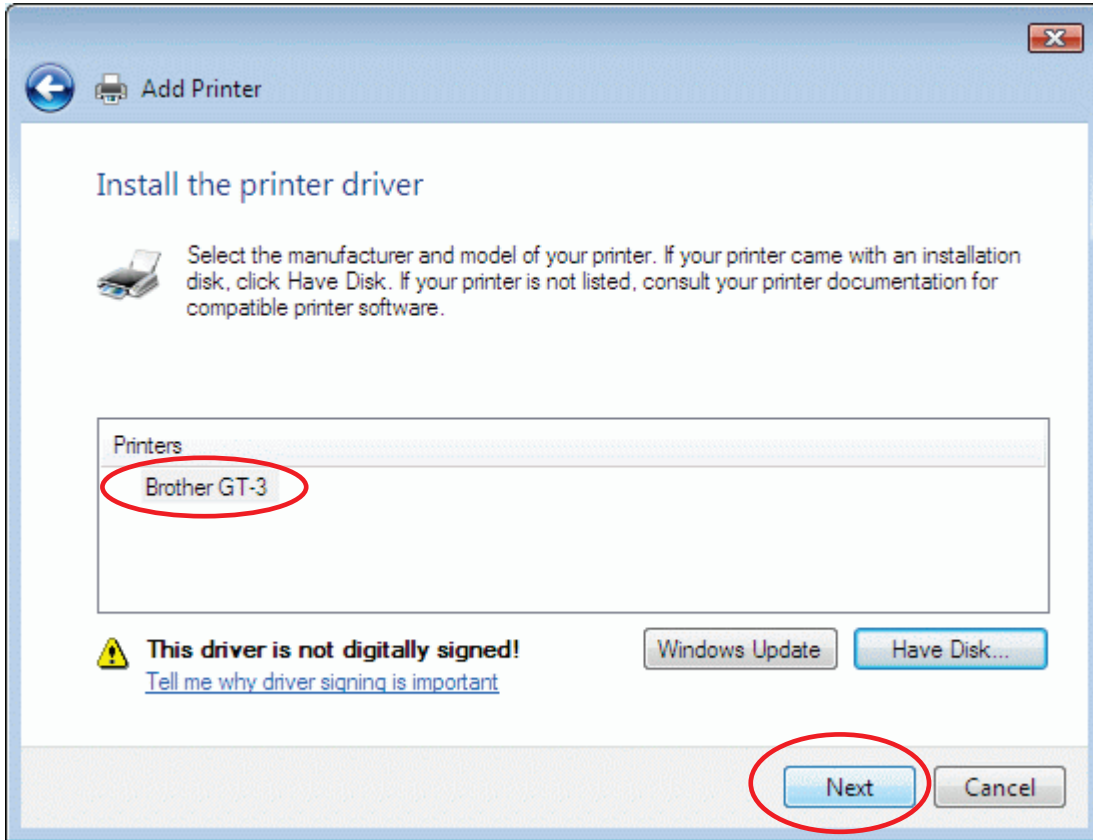


- (10) Click the [Browse...] Button and select either [32bit_OS] or [64bit_OS] folder in the Installer depending on your PC, and then click the [OK] Button.

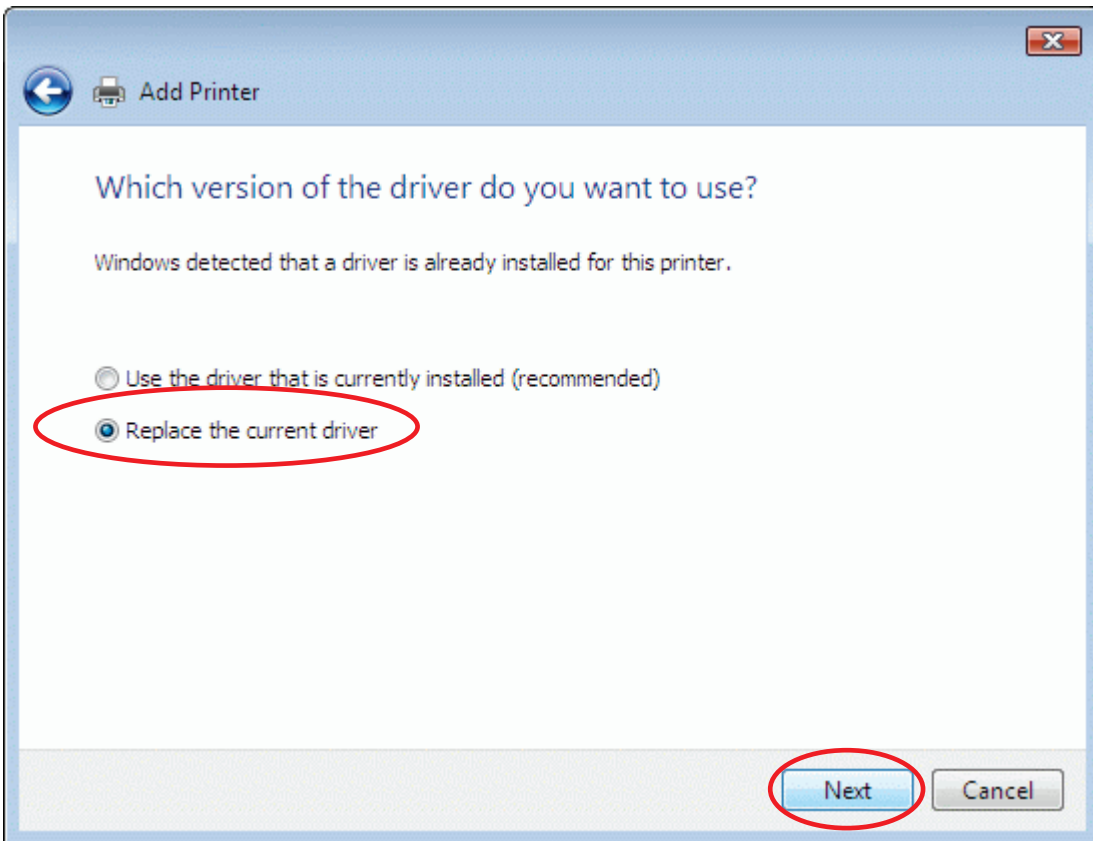


3. Getting Started

(11) Confirm that [Brother GT-3] should be selected in the Printers, and click the [Next] Button.

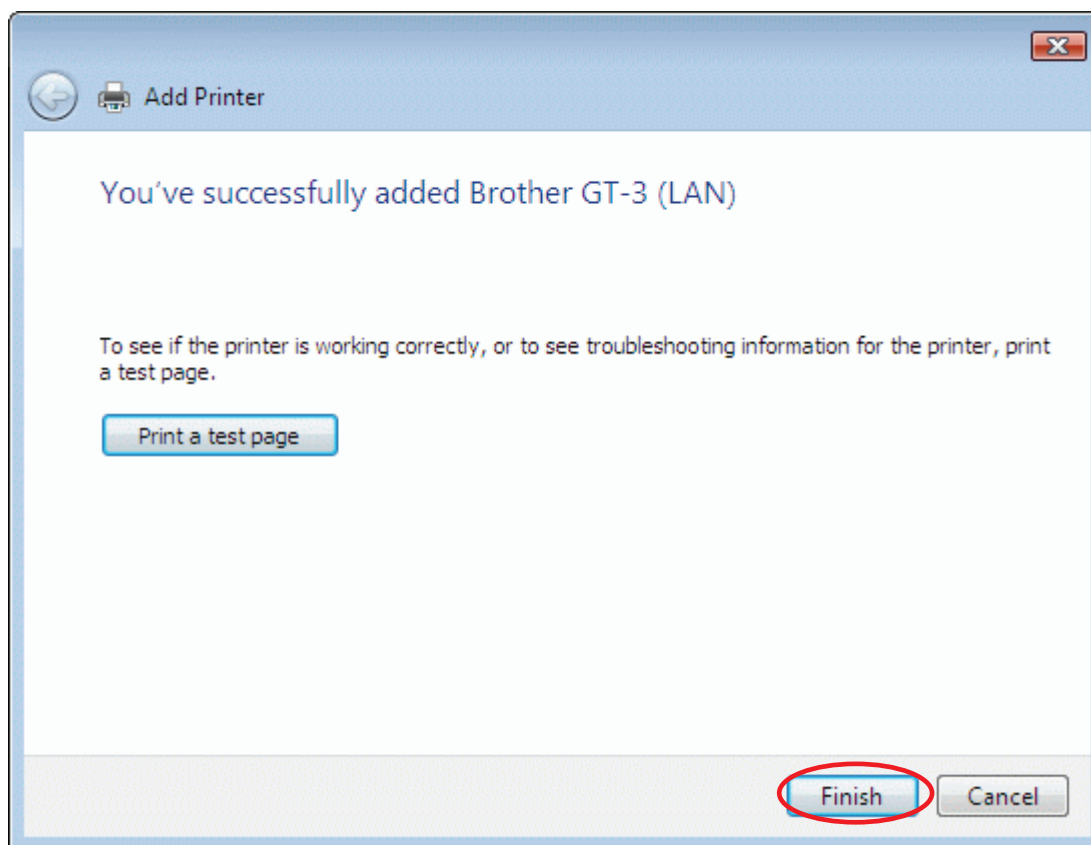


(12) Select [Replace the current driver] and click the [Next] Button.



(13) The dialog shows "Printer Name", "Set as Default Printer (better to select GT-3 File Output Printer Driver as Default Printer)", "Share name: Not shared". Click the [Next] Button.

- (14) The final dialog appears to show that GT-3 has successfully added to your PC. Click [Finish] Button to finish the Wizard.



3-3-8. Opening the installed manuals

- (1) Click "All Programs" on "Start" menu.
 (2) Select "Manuals" in "Brother GT-3 Tools".



- (3) Click the manual you want to open. The language is the same that is selected in installation.

<Note>

Only manuals with selected language are installed to your PC. Others PDF files are in the folder "Manual" on Install CD.

3. Getting Started

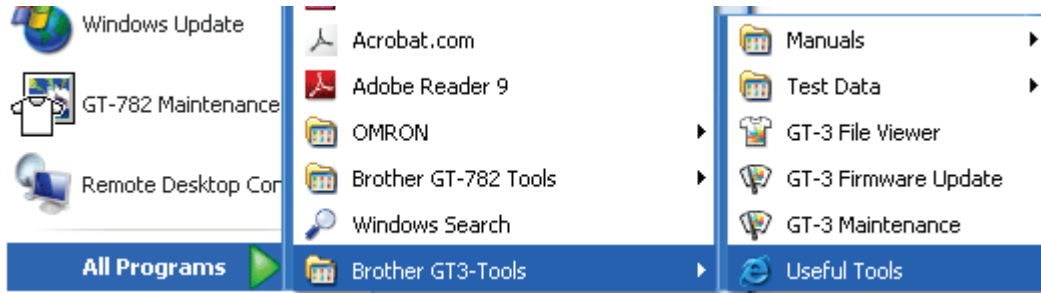
3-3-9. Opening the Useful Tools

Useful Tools are installed in "Useful Tools" in "Brother GT-3 Tools".

Color Palettes for Adobe Photoshop, Illustrator and CorelDRAW

Color Palettes "GT_Colors_T.aco" for Adobe Photoshop, "GT_Colors_T.ai" for Illustrator, "GT_Colors.cpl" and "GT_Tshirts.cpl" for CorelDRAW are available. The colors are the same in GT Color Chart "ColorChart_1200.ar3" and "ColorChart_600.ar3" in "Test Data" in "Brother GT-3 Tools". Print Color Chart to check the colors that your Printer actually provides as color formula guide. (CorelDRAW does not allow putting the same colors in one color palette so we provide two different color palettes.)

- (1) Select [All Programs] on [Start] menu of your PC..
- (2) Select "Useful Tools" in "Brother GT-3 Tools".



- (3) Click the files you want to download as indicated.
- (4) To use Color Palettes in the applications, see "4-2. Setting the Applications' Print Condition" in the Instruction Manual or refer to the Help in the applications.

Printing Grid data on the Platen Sheet

- (1) Select "Useful Tools" in "Brother GT-3 Tools".
- (2) Double-click the Grid print data that fits the Platen size (e.g. Grid14 x 16.ar3) and send it to the printer.
- (3) Print the data on the Platen directly, with no T-shirt on. Touch the surface with paper or cloth to dry the ink after printing.

<Note>

Print on a new Platen Sheet when you exchange to a new one.

Photoshop Action Files

There are two Action Files available: "SolidWhite.atn" (see "4-2-3. Settings for Adobe Photoshop" in the Instruction Manual) to change RGB=255 white to RGB=254 white, and "TransLayer.atn" (see "4-3-13. Printing the image file on Transparent Layer" in the Instruction Manual) to get the Transparent Info from the image. These action files will save your time. See the Photoshop Help for further information.

Color Lists (PDF)

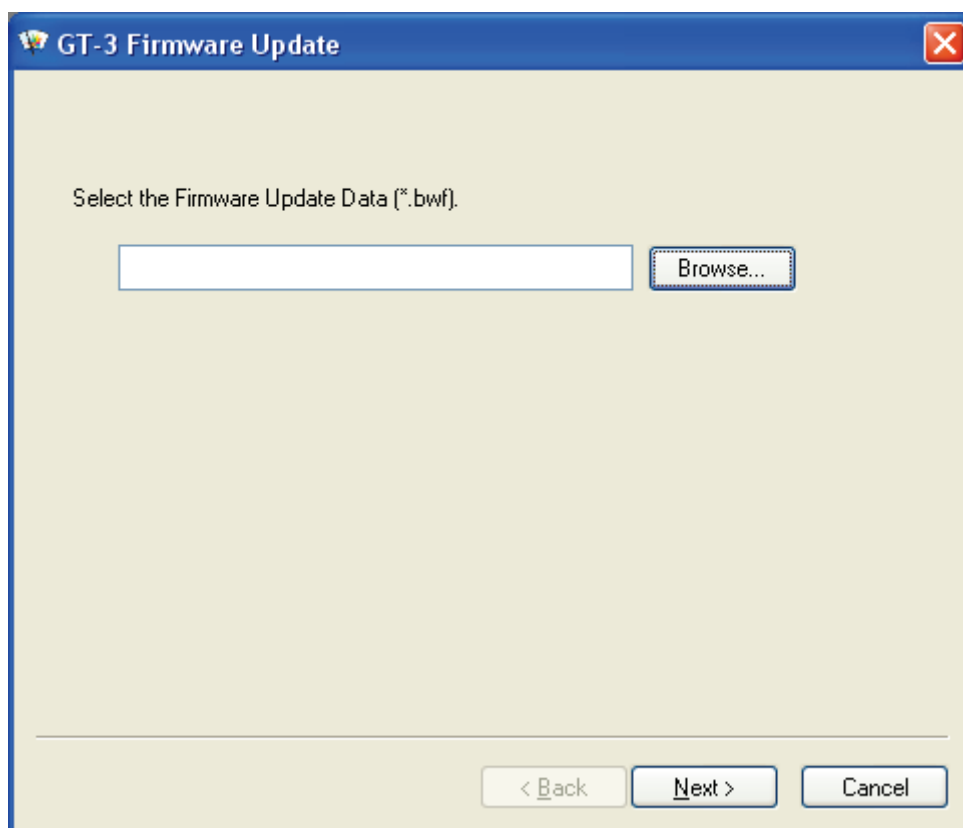
Color Lists are available as the image data (PDF) along with the print data "ColorChart_1200.ar3" and "ColorChart_600.ar3". Blues, Greens, Oranges, Reds and Color Chart image data are in Useful Tools. You can change the printer driver menus to see how the colors change with the settings. Use PLTN 14 x 16.

- (1) Select "Useful Tools" in "Brother GT-3 Tools".
- (2) Open or save the files "GT_Blues.pdf"(blue-violet), "GT_Greens.pdf"(green-yellow), "GT_Oranges.pdf"(orange), "GT_Reds.pdf"(red-purple) or "GT_ColorChart.pdf".

3-3-10. How to use Firmware Update Tools

Download the new Firmware program from the Web site when informed. Read the Firmware program with GT-3 Firmware Update Tool in "Brother GT-3 Tools" and update the Firmware program inside the printer.

- (1) Select "All Programs" on "Start" menu of your PC.
- (2) Select "GT-3 Firmware Update" in "Brother GT-3 Tools".
- (3) Read the update program (*.bwf).



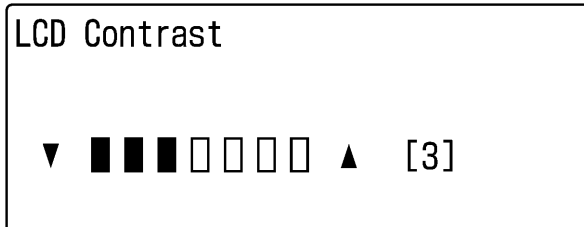
- (4) Update the Firmware program by following the wizard dialog, connecting PC to the printer with USB 2.0 cable.

3-4. Setting Up Your Printer

Adjust the display contrast and the speaker volume as required.

3-4-1. Adjusting the Display Contrast

- (1) Press the OK Button on your printer's Control Panel to go to the Menu.
- (2) Use the Up/Down Button to select [Printer Setting] > [LCD Contrast] and then press the OK Button. The following display appears.

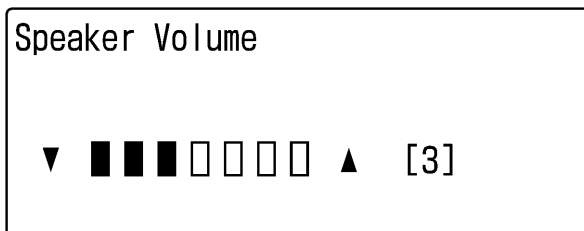


02e0027Y

- (3) Use the Up/Down Button to select your desired contrast from 0 to 7, and then press the OK Button.

3-4-2. Adjusting the Speaker Volume

- (1) Press the OK Button on your printer's Control Panel to go to the Menu.
- (2) Use the Up/Down Button to select [Printer Setting] > [Speaker Volume] and then press the OK Button. The following display appears.



03e0028Y

- (3) Use the Up/Down Button to select your desired volume from 0 (silent) to 7, and then press the OK Button.

3-4-3. Temperature

- (1) Press the OK Button on your printer's Control Panel to go to the Menu.
- (2) Use the Up/Down Button to select [Printer Setting] > [Temperature] and then press the OK Button.
- (3) Use the Up/Down Button to select from Fahrenheit / Centigrade and then press the OK button.

3-4-4. Language

- (1) Press the OK Button on your printer's Control Panel to go to the Menu.
- (2) Use the Up/Down Button to select "Language", and then press the OK Button.
- (3) Use the Up/Down Button to select your desired language from English / Español / Français / Deutsch / Italiano / Japanese / Chinese, then press the OK button.

4. Printing Directly from Applications

WARNING



If a foreign object gets inside the printer, immediately turn off the power switch and disconnect the power cord, and arrange for a service call to resolve.



If you continue to use the printer while there is a foreign object inside, it may result in fire or electric shocks or problems with correct operation.



Do not allow the printer to come into contact with liquids, otherwise it may cause fire or electric shocks or problems with correct operation.



If any liquid gets inside the printer, immediately turn off the power switch and disconnect the power cord. Contact Brother to arrange a service call to resolve.



Do not use the printer when smoke or a bad odor coming from the printer, otherwise it may cause fire or electric shocks or problems with correct operation. Immediately turn off the power switch and disconnect the power cord, and arrange for a service call to resolve.



CAUTION



This printer should only be used by operators who are appropriately trained in its operation.



Do not move the Platen by hand.
The Printer may be seriously damaged by this.



When a problem occurs with the operation of the printer, contact the place of purchase or a qualified technician.

4-1. Basic Printing Procedure

- (1) Set the proper color settings and print conditions of the application. For precise editing and output, applications such as Adobe Photoshop, Illustrator, CorelDRAW, Paint Shop Photo Pro are recommended, e.g. to deal with higher resolution images (200 dpi or higher).
See "4-2. Setting the Applications' Print Condition" in the Instruction Manual for further details.
- (2) Create the artwork using a suitable graphic application. Use RGB=254 (=254, 254, 254) white for white color. RGB=255 (=255, 255, 255) white (paper color) is transparent color with no ink printed.
- (3) Select [File] > [Print] menu of your application and set Printer Driver conditions.
See "4-3. Setting the Printer Driver Condition" in the Instruction Manual.
- (4) Turn on your printer:
See "3-2-1. Turning On Your Printer".
- (5) Execute [Daily Cleaning White] to keep the White Ink bright. See "5-1-1. Daily Cleaning White to avoid dull White Ink and Checking the Print Quality (once a day, before printing)". Test print for both CMYK and White and check the print quality. See "7-2-3. Checking Print Quality with the Nozzle Check Pattern" in the Instruction Manual.
- (6) Send data to your Printer. Select Printer Driver: either one from the GT-3 Printer Driver (for USB 2.0) or GT-3 Printer Driver (for LAN) for direct print, or GT-3 FileOutput Printer Driver to make print data file (.ar3).
As for sending .ar3 file to your Printer, see "5. Printing AR3 Files" in the Instruction Manual.
- (7) Install the Platen of the size you have selected in step (3) "4-3. Setting the Printer Driver Condition" in the Instruction Manual.
See "4-4. Uninstalling / Installing the Platen" in the Instruction Manual.
- (8) Set the T-shirt (as for dark garments, pretreated. See "4-6-1. Applying the Pretreatment" in the Instruction Manual) on the Platen and adjust the Platen height. The operation on the both platens (Left/Right) is the same. See "4-5. Placing the T-shirt on the Platen" in the Instruction Manual.
- (9) Press the Print Button on the Control Panel to start printing. See "4-6-2. Making One Print." in the Instruction Manual.
- (10) Remove the "printed" T-shirt from the Platen.
See "4-7. Removing the T-shirt from the Platen" in the Instruction Manual.
- (11) Fix the ink with heat onto the T-shirt.
Use a conveyer oven or a heat press to fix the ink onto the T-shirt. See "4-8. Curing the Ink onto the T-shirt" in the Instruction Manual.
- (12) Repeat (8) to (11) until all the prints are finished.
- (13) See the Chapter 5 for necessary maintenance and for regularly and more-than-2-week storage.
- (14) Turn off your printer. See "3-2-2. Turning Off Your Printer".

5. Maintenance

For optimum product performance regular maintenance is required.

DANGER



Wait at least 5 minutes after turning off the power switch and disconnecting the power cord from the wall outlet before opening the right-side cover of the control unit. Do not touch as high voltage can result in severe injury.

CAUTION



Wait at least 1 minute after turning off the power switch before opening the front cover. Do not touch the head heat sink as it may be HOT and may cause a burn.



Be careful not to get your fingers caught when closing the front cover, otherwise it may result in injury to your fingers.



Do not move the Platen by hand.
The Printer may be seriously damaged by this.



Do not disassemble the ink cartridge.
Take care not to let the liquids: Ink, Wash Liquid, Maintenance Solution, Pretreatment or waste liquid come into contact with your eyes or onto your skin, otherwise inflammation can result. In case of contact with eyes, do not rub but immediately rinse the eyes with water.



Furthermore, do not drink the liquids: Ink, Wash Liquid, Maintenance Solution, Pretreatment or waste liquid under any circumstances, as they can cause vomiting and diarrhea.
Keep the liquids out of the reach of children.



Be sure to wear protective goggles and gloves when handling the grease, so that they do not get into your eyes or onto your skin. If the grease gets into your eyes or onto your skin, inflammation can result.

Furthermore, do not drink or eat the grease. They may cause diarrhea or vomiting.

Keep the grease out of the reach of children.



When replacing parts and installing optional accessories, be sure to use only genuine Brother parts. Brother will not be held responsible for any accidents or problems resulting from the use of non-genuine parts.

5-1. Regular Maintenance

This section describes the daily maintenance required to keep the printer in good condition, how to replace the consumables, and the general maintenance of the printer.

Do not leave the White ink inside the printer. White pigment precipitates and may cause serious damage to your printer. This section describes how to maintain the White Ink. Execute the following menu to keep your printer and print result in good conditions.

Menu	Timing	Details
Daily Cleaning White	Before printing (once a day)	Replaces the white-less White Ink caused by settled pigments.
Nozzle Check Pattern printing	Before printing (once a day)	Check the print quality
White Tube Cleaning	Once a week	Prevents the Tubes from choking with pigments.

<Note>

Confirm if there is enough room in Waste Ink Tank before executing the maintenance.

5-1-1. Daily Cleaning White to avoid dull White Ink and Checking the Print Quality (once a day, before printing)

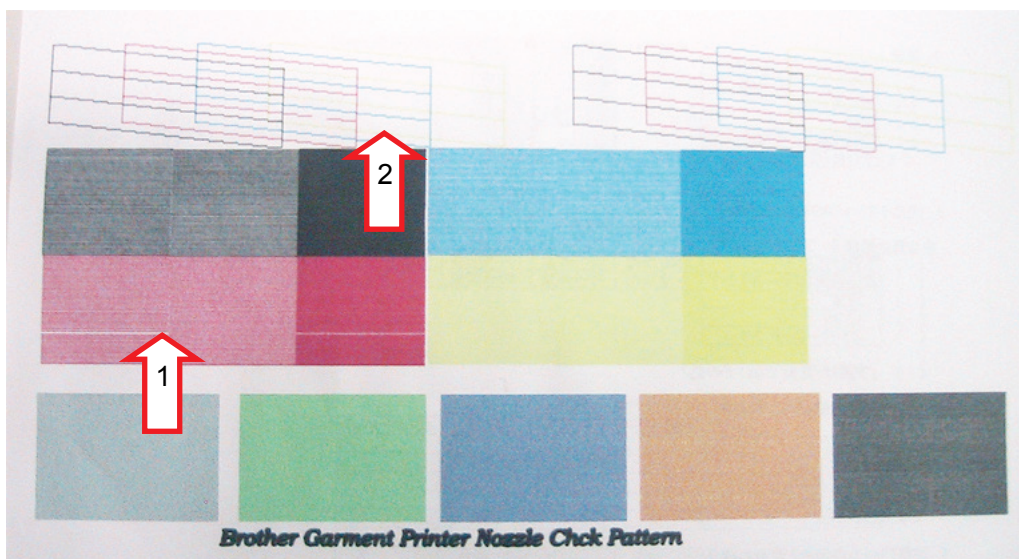
- (1) Shake the White Ink Cartridge one by one to keep the whiteness of the White Ink. Pull out one of the White Ink Cartridge, hold the cartridge with both hands, upside down from the mounted position. Shake by moving back and forth to mix up the pigment from the bottom and shake it horizontally, in 30 seconds to 1 minute. (See "5-2-6. Replacing the Ink Cartridge".)
- (2) Select [Daily Cleaning White] from the menu and press the OK Button. Select "All White" to do in one time or select each Print Head to do one by one. Press OK button to continue.
- (3) After replacing the White Ink, print Nozzle Check Pattern from [Test Print] menu to check the print quality. Also print Whiteness pattern on the pretreated material so that you can see the whiteness.

<Note>

- If ink mis-firing continues, the ink contained in the head nozzle will become solidified, requiring print head replacement.

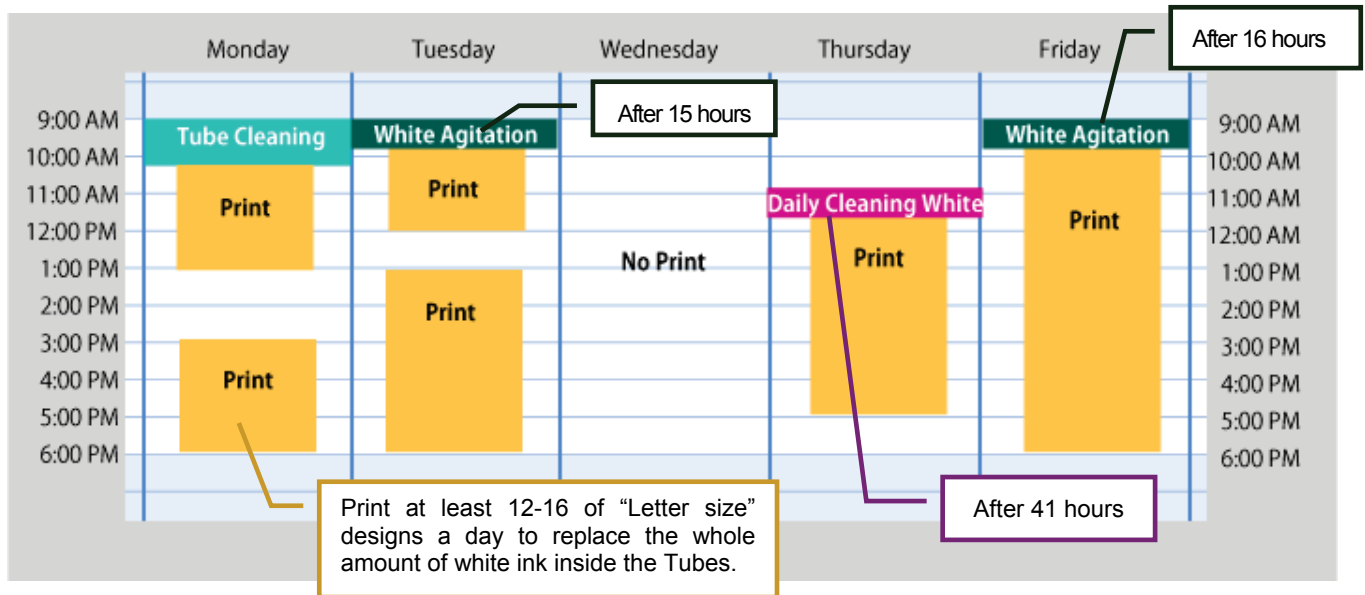
(e.g.) CMYK side:

If a white line is found (Arrow 1) or the printed line is broken (Arrow 2), the print head of the relevant color (magenta in the case of the photo below) has a problem with ink mis-firing. (If so, see "7-2-2. Cleaning the Print Heads" in the Instruction Manual.)



5-1-2. White Agitation to save the waste (Firmware ver. 3.00 or higher)

You can save the waste of the White Ink by moving the Carriage with [White Agitation] menu when you print a certain volume every day and the printer is suspended (unused) within approx. 18 hours. See the chart below if you can use this menu or just execute Daily Cleaning White to flush the White Ink inside the Tube. Confirm the whiteness before your production.



- (1) Shake the White Ink Cartridge for 30 to 60 seconds to keep the White Ink bright. Refer to (1) of "5-1-1. Daily Cleaning White to avoid dull White Ink and Checking the Print Quality (once a day, before printing)" described above or "5-2-6. Replacing the Ink Cartridge".
- (2) Select [White Agitation] from the menu and press the OK Button. The Carriage will move like you print in approx. 5 minutes, which is a little longer when you print 1200dpi 14x16 Color-Only Print data.
- (3) After the menu is finished, print Nozzle Check Pattern from [Test Print] menu to check the print quality. Also print Whiteness pattern on the pretreated material so that you can see the whiteness.

5-1-3. White Tube Cleaning (once a week)

This menu washes away the pigments inside the Tubes and Print Heads. When you execute this menu all-in-one time, GT-381 for four Tubes, GT-361 for two Tubes, you can retrieve the White Ink before Tube Cleaning. It takes time but you can save the cost. If you select the Tube one by one then the White Ink will not be retrieved. Follow the indications on the Display and operate with Maintenance Cartridge.

<Note>

If you leave GT-3 printer unused for more than two weeks, execute White Tube Cleaning for storage. Insert Capping Cartridges (option) in place of White Ink Cartridge. See "5-1-5. Required Maintenance for Long Term Storage".

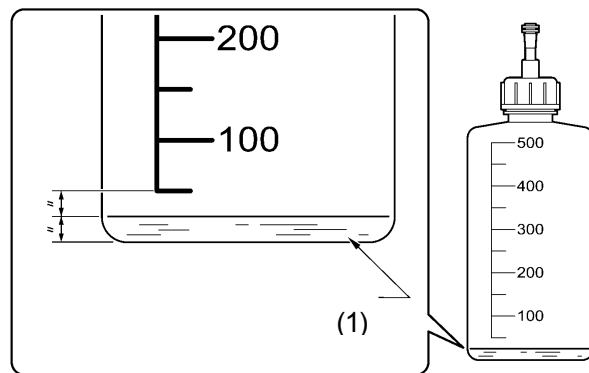
<Note>

Confirm the firmware should be ver. 2.10 or higher.

When you execute White/Color Tube Cleaning, be sure to use the clean bottle and fresh Maintenance Solution; follow the steps below when you fill in the bottle. Clean the inside regularly.

5. Maintenance

- Throw away the old Maintenance Solution (1) left in the bottle.
- Pour some fresh Maintenance Solution by 25 ml (about half of the lowest mark).

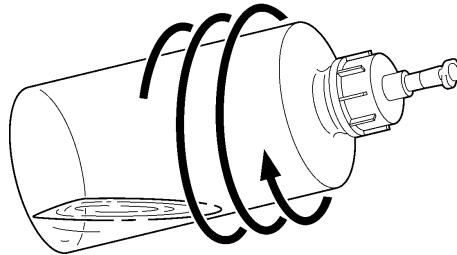


4725M

- Rotate the bottle as shown in the image below by three times, to rinse the bottom, the side of the bottle with the Maintenance Solution.

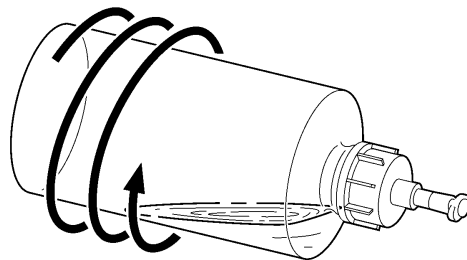
<Note>

Do not shake the bottle; the bubbles cannot flush the surface of the bottles easily. Just rotate the bottle slowly to rinse the inside.



4726M

- Lift up the bottom of the bottle, and rotate it by three times to rinse the top and the side of the bottle.



4727M

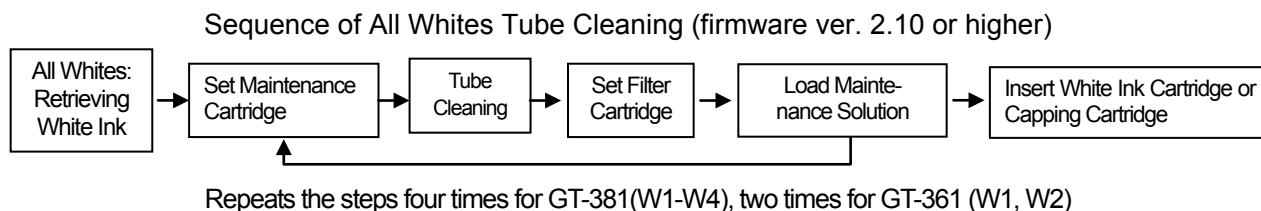
- Throw away the Maintenance Solution from the bottle.
- Fill the Maintenance Solution into the bottle for Tube Cleaning. Pay attention not to put dust inside the cleaned bottle.

<Note>

- Keep the 250 ml of Maintenance Solution inside the bottle to execute Tube Cleaning for one print head.
- Lightly fasten the cap of the bottle.

- Execute White/Color Tube Cleaning. See the sequence below.
- After the Tube Cleaning is done, keep the bottle in a clean condition; Cover it with a clean bag (polyester) from the top.

All Whites Tube Cleaning

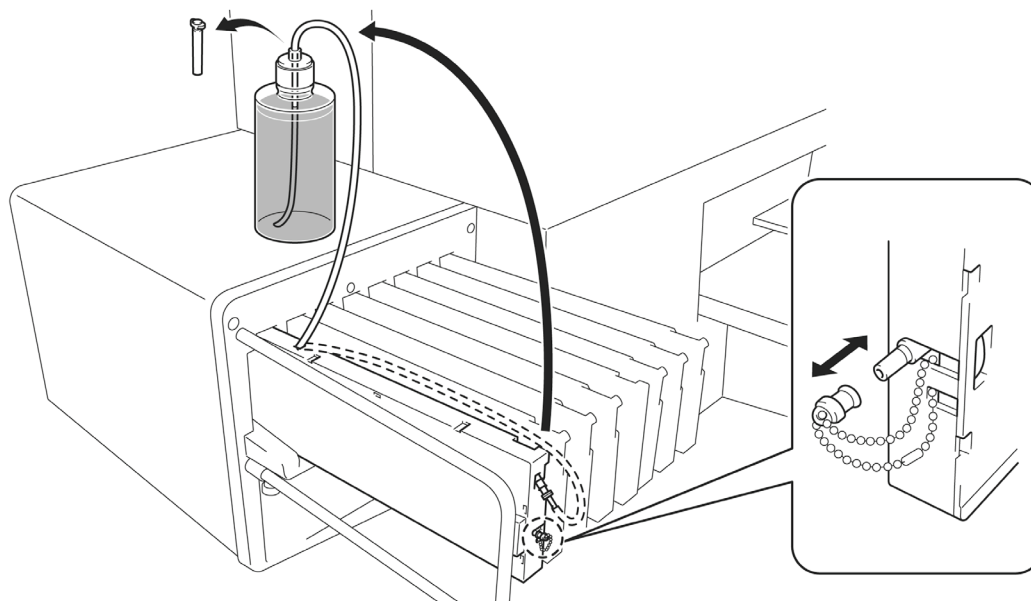


<Note>

- If you execute *Tube Cleaning* one by one, then the first "Retrieving White Ink" is skipped.
- Insert *Capping Cartridges (option)* in place of *White Ink Cartridge* when you leave the GT-3 printer unused for more than two weeks.

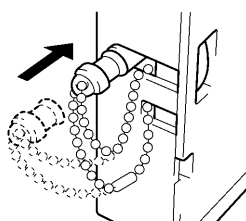
- (1) Fill the bottle with Maintenance Solution. Confirm that at least more than 250 ml per one Print Head is in the bottle.
- (2) Confirm in advance the amount of the Waste Ink in the Waste Ink Tank (The amount of waste liquid left in the Waste Ink Tank is less than half of the full amount).
- (3) Confirm that the printer is either [Standby] or [Ready].
- (4) Select [Maintenance] > [White Tube Cleaning] from the menu and press OK Button.
- (5) Select [All Whites] then White Ink retrieval starts and the countdown is indicated on the Display. Please wait until the retrieval finishes (4 minutes).
- (6) When White Ink retrieval is finished, the message [Set Maintenance Cartridge] is indicated on the Display. Remove the White Ink Cartridge of W1 and insert the Maintenance Cartridge to W1 slot and press OK Button. Confirm that the tube of the Maintenance Cartridge reaches to the bottom of the bottle.

<Note>Insert the tube to the bottom of the bottle.



0192Y

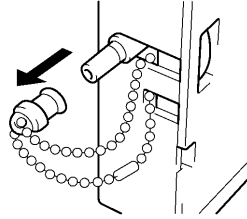
- (7) [Close Air-in Cap] is indicated. Confirm that the Air-in Cap is capped (closed) and press OK Button. The pump starts turning to load the Maintenance Solution.



0193Y

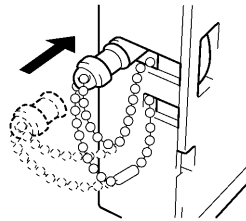
5. Maintenance

- (8) After 30 seconds, when the beep sounds ring, the message [Open Air-in Cap] is indicated on the Control Panel. Uncap (open) the air-in cap and press OK button. The air goes into the tube and washes away the remained White Ink. It takes about 10 minutes to wash one tube.



0194Y

- After washing with air bubbles, when the beep sounds ring, the message [Insert Filter Cartridge] is indicated on the Control Panel. Remove the Maintenance Cartridge of the W1 position and insert the Filter Cartridge and press the OK button. The air from the Filter Cartridge flushes the bubbles inside the Tube.
- With the beep sounds, the message [Insert Maintenance Cartridge] is indicated on the Control Panel. Remove the Filter Cartridge of the W1 and insert the Maintenance Cartridge again and press the OK button. Make sure that the tube from the Maintenance Cartridge can reach the bottom of the bottle with Maintenance Solution.
- [Close Air-in Cap] is indicated. Confirm that the Air-in Cap is capped (closed) and press OK Button. The pump starts turning to load the Maintenance Solution again.



0193Y

- After refilling the Maintenance Solution, the message to go to W2 is indicated on the Display. Remove the Maintenance Cartridge from W1 slot and mount the Maintenance Cartridge to W2 slot, and install the well-shaken White Ink Cartridge to W1. Tube Cleaning W1 is finished successfully. Repeat the steps for other White Print Head(s).

<Note>

Insert a White Capping Cartridge (optional) in place of the White Ink Cartridge when you leave the GT-3 printer unused for more than two weeks. See "5-1-5. Required Maintenance for Long Term Storage", and "1-3-5. Consumable Requirements and Options" for Part Code.

Loading White Ink after Tube Cleaning

- (1) Load the White Ink with full of Maintenance Solution in the Tube, the step (9) in the previous page. Insert the White Ink Cartridge and select [Maintenance] > [Load White] from the menu and press OK.
- (2) Select [All Whites] or one from W1-W4 and press OK. White Ink starts loading.

<Note>

The menu [Initial Cleaning] of the White Ink starts from loading Maintenance Solution, to load White Ink into the Tube smoothly. After Tube Cleaning, when the Tubes are filled with Maintenance Solution, select [Load White] to load White Ink.

One-by-one Tube Cleaning

- (1) Fill the bottle with Maintenance Solution. Confirm that at least more than 250 ml per one Print Head is in the bottle.
- (2) Confirm in advance the amount of the Waste Ink in the Waste Ink Tank (The amount of waste liquid left in the Waste Ink Tank is less than half of the full amount.)
- (3) Confirm that the printer is either [Standby] or [Ready].
- (4) Select [Maintenance] > [White Tube Cleaning] from the menu and press OK Button.
- (5) Select [White-1 (or White-2 to White-4)] then the message [Set Maintenance Cartridge] is indicated. Remove the White Ink Cartridge of W1 and insert the Maintenance Cartridge to W1 slot. and press OK Button. Confirm that the tube of the Maintenance Cartridge reaches to the bottom of the bottle. [Close Air-in Cap] is indicated. Confirm that the Air-in Cap is capped (closed) and press OK Button.

<Note>

White Ink is retrieved only when [All Whites] is selected.

- (6) Follow the step 7 – 11 in “All Whites Tube Cleaning” in the previous pages and clean the W1.
- (7) After refilling the Maintenance Solution, the message of selecting Print Head menu is indicated. Remove the Maintenance Cartridge from W1 slot and insert well-shaken White Ink Cartridge. Tube Cleaning W1 is finished successfully. Repeat the steps 5 and 7 (this step) to clean other Tubes.

5-1-4. Waste Ink Disposal

Use a polyethylene tank for additional Waste Ink Tank. Confirm in advance the amount of the Waste Ink when you do the maintenance, especially when you execute the maintenance menu of Initial Cleaning and White Tube Cleaning. Deal with care because it is heavy.

- (1) Prepare a new polyethylene tank.
- (2) Pull off the Waste Ink Tube carefully and insert it to the new Waste Ink Tank.

<Note>

Make sure that the Waste Ink should flow in the tube without bend.

- (3) Remove the full Waste Ink Tank and cap tightly and carefully.
- (4) Install the new Waste Ink Tank in a proper position.

<Note>

Dispose the used waste ink, pretreatment, maintenance solution (all water-based) or other wastes in accordance with your local regulations. Or make contact to your dealer.

5. Maintenance

5-1-5. Required Maintenance for Long Term Storage

Necessary maintenance is different for "A. When using the printer exclusively for color printing (no white data)" and "B. When not using the printer".

When you will not use the printer for a while, prepare for storage according to the following steps and be sure to perform regular maintenance every two weeks. To activate the printer again, follow the steps of "C. Reactivation after Storage".

	Preparation for storage	Daily maintenance	Regular maintenance
A. When using the printer exclusively for color printing (no white data)	CMYK side: None White side: None	CMYK side: None White side: Print nozzle check pattern	CMYK side: None White side: Clean the white tube once a week
B. When not using the printer	CMYK side: Clean the Caps and Wipers and load Wash Liquid into the Maintenance Unit White side: Clean the tube and insert the Capping Cartridge ^{*1} with Maintenance Solution loaded in the tube		CMYK side: Clean the Head Cap again every two weeks and load Wash Liquid into the Maintenance Unit White side: Load Maintenance Solution into each tube every two weeks and insert the Capping Cartridge ^{*1} with the Solution loaded in the tube

<Note>

- [GT-341 mode] is for when the White Print Head is not installed. Selecting [GT-341 mode] with the Print Head installed omits the motion for protecting the Print Head, which may cause clogging of the Print Head nozzles.
- When a White Capping Cartridge (^{*1} Option, 4 pcs. For GT-381, 2 pcs. For GT-361) is installed, never activate the printer. Doing so will cause problems with the Print Head.
- In Both cases A and B, perform the maintenance every two weeks in order to prevent White ink trouble.
- Wash Liquid is an essential tool for cleaning ink stains, so please keep it handy.

A. When using the printer exclusively for color printing (no white data)

Daily maintenance

Print white-side nozzle check pattern

Regular maintenance

Clean the white tube once a week

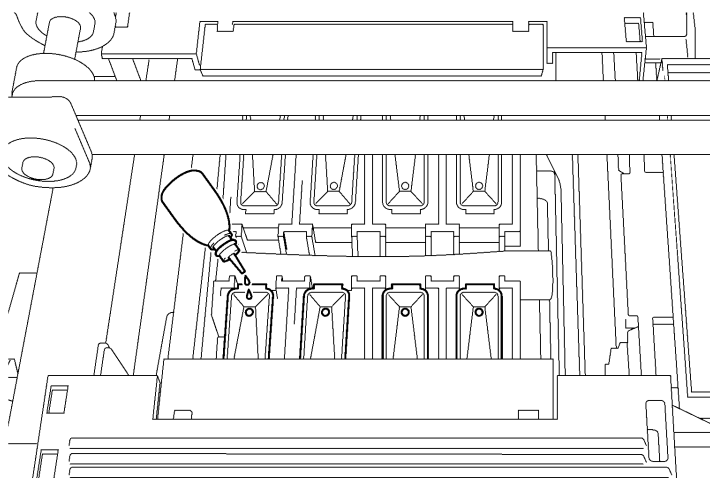
B. When not using the printer

Preparation before storage

1. First, perform white tube cleaning. Select [All Whites]. See "5-1-3. White Tube Cleaning (once a week)". After cleaning the tube, insert the Capping Cartridge (optional) with the Maintenance Solution loaded in the tube.
2. Next, perform the Maintenance cleaning. Select [Maintenance] > [Nozzle Cleaning] from the menu and press OK. The platen moves and the cap moves down. Following the indications on the display, turn off the power and open the Front Cover with both hands until it is locked with the stopper.
3. See "5-2-1. Replacing the Wiper Cleaner and Cleaning the Caps / Wipers", and clean the areas around the White and Color Print Heads. If the Wiper Cleaner is dirty, replace it with a new one.
4. Next, in order to prevent the ink within the Maintenance Unit from hardening, put 7 to 8 drops of Wash Liquid into the CMYK Caps.

<Note>

Be careful that the Wash Liquid does not spill over around the Caps.



0080Y

5. Press the Stop Lever to release the Lock, close the Front Cover with both hands, and turn on the power.
6. Once the initialization is completed, turn off the power and store the printer.

Regular Maintenance Every Two Weeks

Be sure to perform the following regular maintenance every two weeks and be sure new Maintenance Solution is always loaded in the White tube.

White side:

1. Load the Maintenance Solution into the bottle and check the amount of Waste Liquid left in the Waste Ink Tank.
2. Insert the Maintenance Cartridge and select [Maintenance] > [Load White] from the menu to load the Maintenance Solution instead of White Ink.
3. After the loading, insert the Capping Cartridge. Be sure that new Maintenance Solution is always loaded in all the White Print Heads and Tubes.

<Note>

If the White Ink Tube becomes cloudy, retry the tube cleaning.

CMYK side:

Following steps 4 to 6 for preparation before storage, put a few drops of Wash Liquid into the Caps to prevent the ink from hardening.

Printing again White data (reactivation)

To print White data again, see "C. Reactivation after Storage" below and load the White ink.

5. Maintenance

C. Reactivation after Storage

- (1) Replace the White Ink-side Capping Cartridge or White Ink Cartridge mixed with Maintenance Solution with a new White Ink Cartridge, and then activate the printer. When the Maintenance Solution is fully loaded in the tube, replace the Capping Cartridge with a White Ink Cartridge and load White Ink following the steps of "5-1-3. White Tube Cleaning (once a week)". If air is mixed in the tube, exchange the Capping Cartridge for a White Ink Cartridge, load the Maintenance Solution using the [Maintenance] > [Initial Cleaning] operation, and then load White Ink. In both cases, follow the indications on the Display.
- (2) Once the White Ink is loaded, print Nozzle Check Patterns for both White and CMYK. If the print quality is poor (especially for CMYK), clean the nozzle surface (front surface of Print Head) according to "7-2-6. Cleaning the Print Head Nozzles" in the Instruction Manual.

<Note>

CMYK Auto Cleaning after non-use of the printer for two weeks or longer is the same as Power Cleaning.

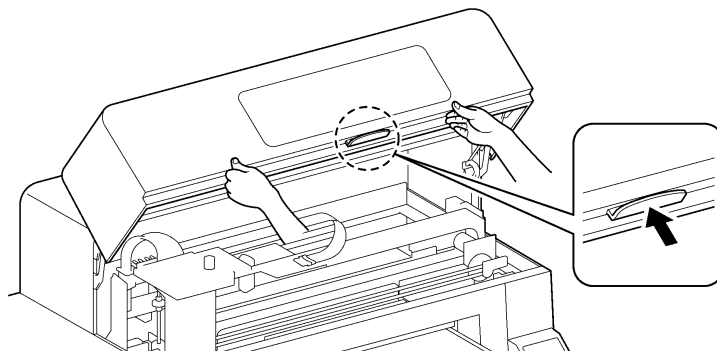
5-2. Cleaning and Replacing the Consumables

Parts, Location	Content	Timing	
Head Cap Wiper Blade Inside of Printer	Cleaning	Every week and when replacing the Wiper Cleaner	
Wiper Cleaner Flushing Sponge	Replacement	When "Replace the Wiper Cleaner" message is displayed When "Replace Flushing Plate Sponge" message is displayed	
Flushing Plate Sponge	Disposal of retained ink	Ditto	
Roller Felt Fan Filter	Replacement	Platens A and B	When "Replace the Roller Felt" message appears
		Platen C or later	When Replace the Wiper Cleaner message appears
Flushing Plate Felt		When absorption is poor because the waste liquid has soaked through the entire area	

5-2-1. Replacing the Wiper Cleaner and Cleaning the Caps / Wipers

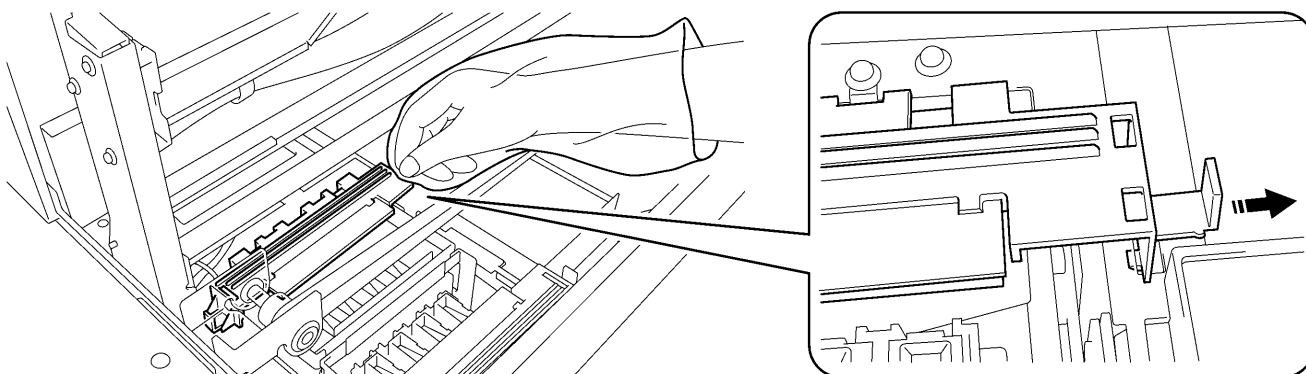
The Wiper Cleaner needs to be replaced every week. Keep the Print Head Cap and Wiper Blade clean when replacing the Wiper Cleaner. If not, the waste ink may drop on a T-shirt in printing or mis-firing may not be easily improved.

- (1) Select [Maintenance] from the menu by pressing Up/Down Buttons and press OK Button.
- (2) Select [Maintenance Parts Exchange] and press OK Button. The Platen will be loaded and the Wipers will be moved to the cleaning position. Follow the message and turn off the printer.
- (3) Open the Front Cover with both hands until it is locked with the stopper.



0046Y

- (4) Cover your right hand with a plastic bag so that you can hold the used Wiper Cleaner safe and clean. Pick the right edge of the Wiper Cleaner and move slightly to the right (1-2 mm) by your right hand, the claw in the right will be released.



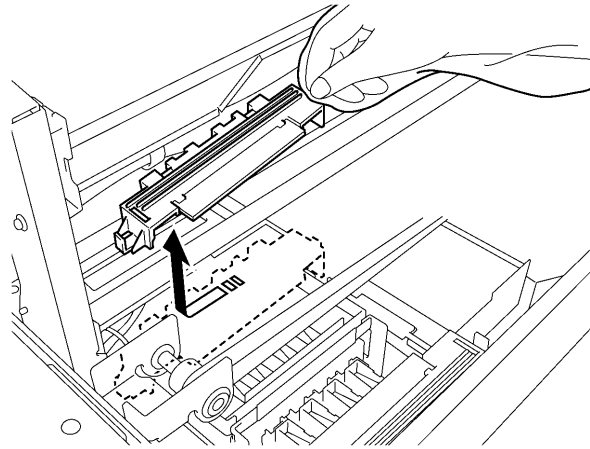
0058Y

5. Maintenance

- (5) Move the Wiper Cleaner slightly to the left (1-2 mm) to release the claw in the left. Pay attention not to tilt the Wiper Cleaner or the waste ink may drop. Keep flat and move slowly.

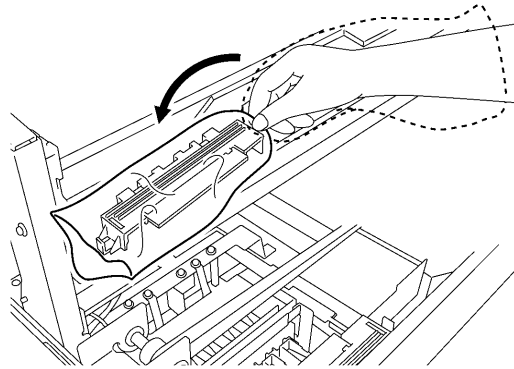
<Note>

Do not tilt the Wiper Cleaner, ink may get on your hands or clothing.



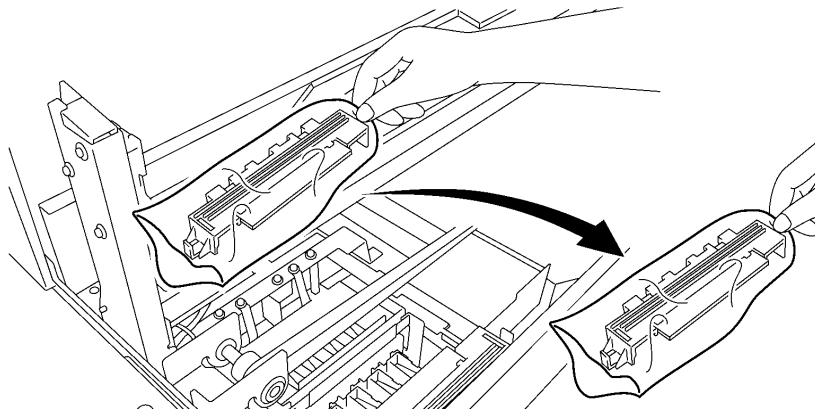
0059Y

- (6) Pick the plastic bag on your right hand with your left hand, and wrap the Wiper Cleaner with the plastic bag.



0060Y

- (7) Remove the wrapped Wiper Cleaner carefully, not to drop waste ink and dispose of in accordance with local regulations.

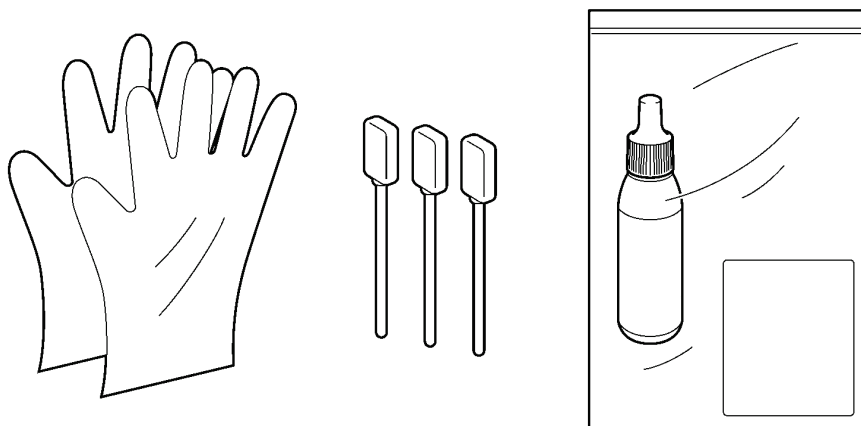


0061Y

<Note>

Pay attention not to soil the Timing Belt and the other parts with waste ink.

- (8) Prepare the Wiper Cleaner, which is in the carton of White, Clean Stick, Wash Liquid, and Gloves (Full Maintenance Kit *) (* See "1-3-5. Consumable Requirements and Options" to get the Code Number.)

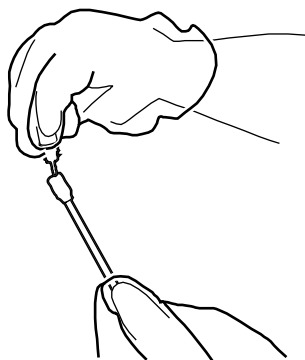


0062Y_re-Br2

- (9) Wear the gloves, and wet both sides of a Clean Stick (green grip) with the Wash Liquid.

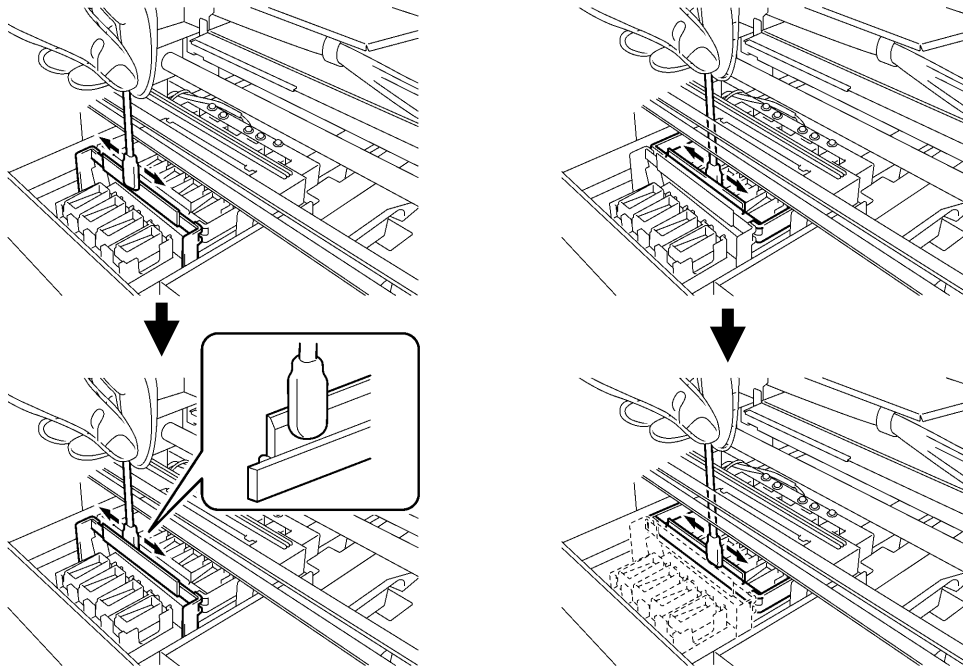
<Note>

Use only the Wash Liquid included to wet the Clean Stick; using other liquid will cause damage to the Print Heads.



5. Maintenance

- (10) Use the one side of wet Clean Stick to clean the front side of the Wiper Blade.
(11) Use the other side of the wet Clean Stick to clean the rear of the Wiper Blade. Do not wipe the White / Color with the same Clean Stick.



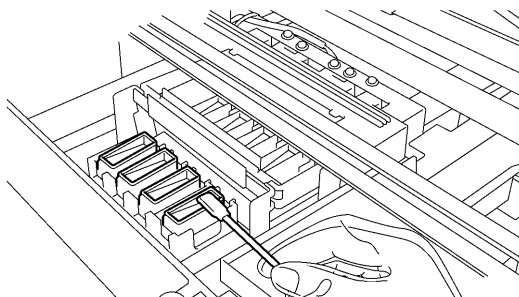
0063Y

0064Y

- (12) Wet Clean Sticks for other caps and use them to remove ink and dirt from around the Print Head Caps. Use one side of the Clean Stick to clean one Print Head Cap.

<Note>

Do not use dry Clean Stick; it cannot clean ink or dust. It may damage the Print Head Caps. Wipe off the dirty ink of Clean Sticks with soft cloth if it is too dirty and wet with Wash Liquid.



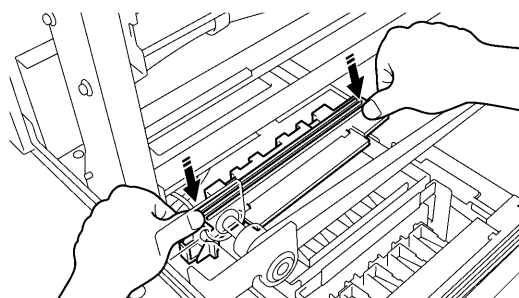
0065Y

- (13) Mount the new Wiper Cleaner by following (6) to (4) in the previous pages.

<Note>

Do not give stress to the Timing Belt in mounting the Wiper Cleaner.

If your printer turns on with no errors, replacement of the Wiper Cleaner has been completed successfully. If something irregular occurs, e.g. abnormal noise or error "No Wiper Cleaner (CMYK/White)", turn off your printer, and check if the Wiper Cleaner is correctly mounted.



0066Y

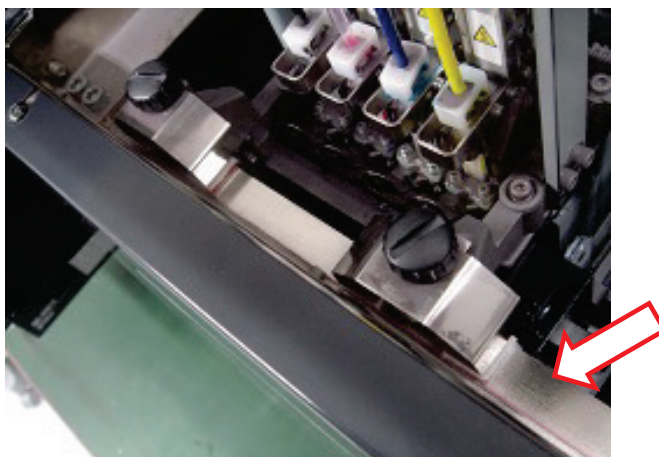
5-2-2. Cleaning the inside of the printer

- (1) When replacing the consumables or cleaning the printer, be sure to check for dirt inside of the printer. Wipe off the front/back of the Clearance Sensor and around the Platen with a soft wet cloth with water. Use Wash Liquid to remove the clogged ink.

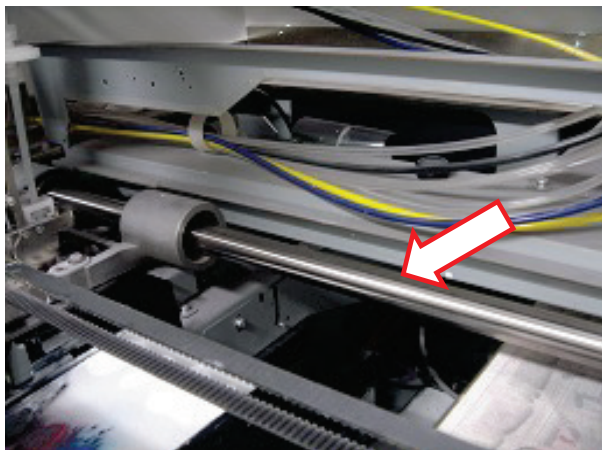
<Note>

The dirt of the Clearance Sensor may stain the T-shirt in loading.

- (2) Wipe off the dust on the T-shirt Tray with wet cloth.
- (3) Wipe off the ink mist on the surface e.g. where the Carriage Rollers move on, with a clean and soft cloth soaked with alcohol.



- (4) Wipe off the ink mist on the Carriage Guide Shaft with a clean and soft cloth soaked with alcohol. Put some specified grease (option) on a soft cloth and apply the Carriage Guide Shaft. After cleaning, adjust the Carriage Speed from the menu. See "7-2-9. Adjusting the CR Speed" in the Instruction Manual.



- (5) Push the Stop Lever to release the lock when you close the Front Cover with both hands and then turn ON the printer. If something irregular occurs, e.g. abnormal noise or error "No Wiper Cleaner (CMYK/White)", turn off your printer, and check if the Wiper Cleaner is correctly mounted, etc.
- (6) When the printer is turned on, perform normal cleaning and check the ink quality using the nozzle check pattern printing.

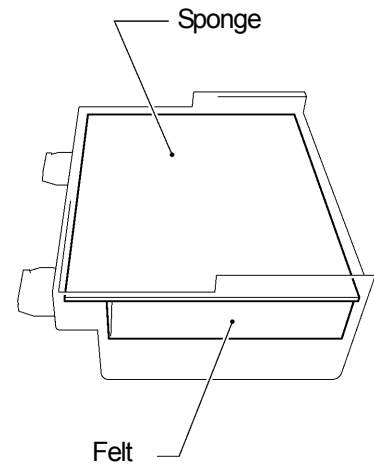
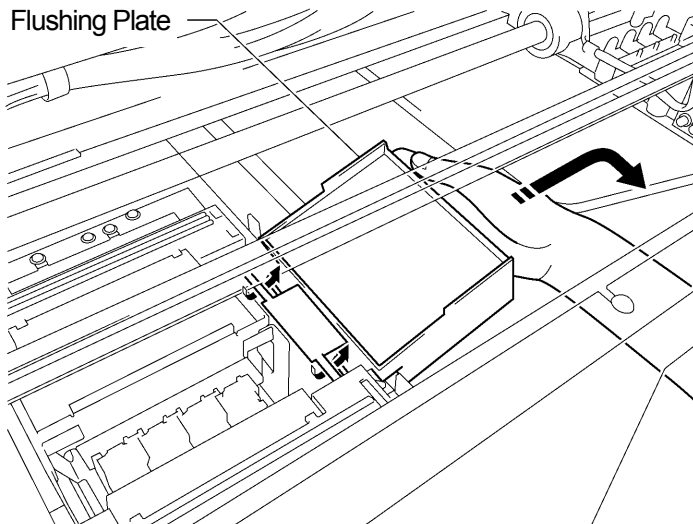
5. Maintenance

5-2-3. Replacing Flushing Plate Sponge and Flushing Plate Felt

- (1) Remove the Flushing Plate from the printer by lifting up the right side slightly and pull up to the right direction.
- (2) Remove the used Flushing Plate Sponge from the Flushing Plate and remove the waste ink inside. Put the new Flushing Plate Sponge (top) into the Flushing Plate and mount the Flushing Plate as it is to the printer. If the Flushing Plate Felt is very dirty, replace it.

<Note>

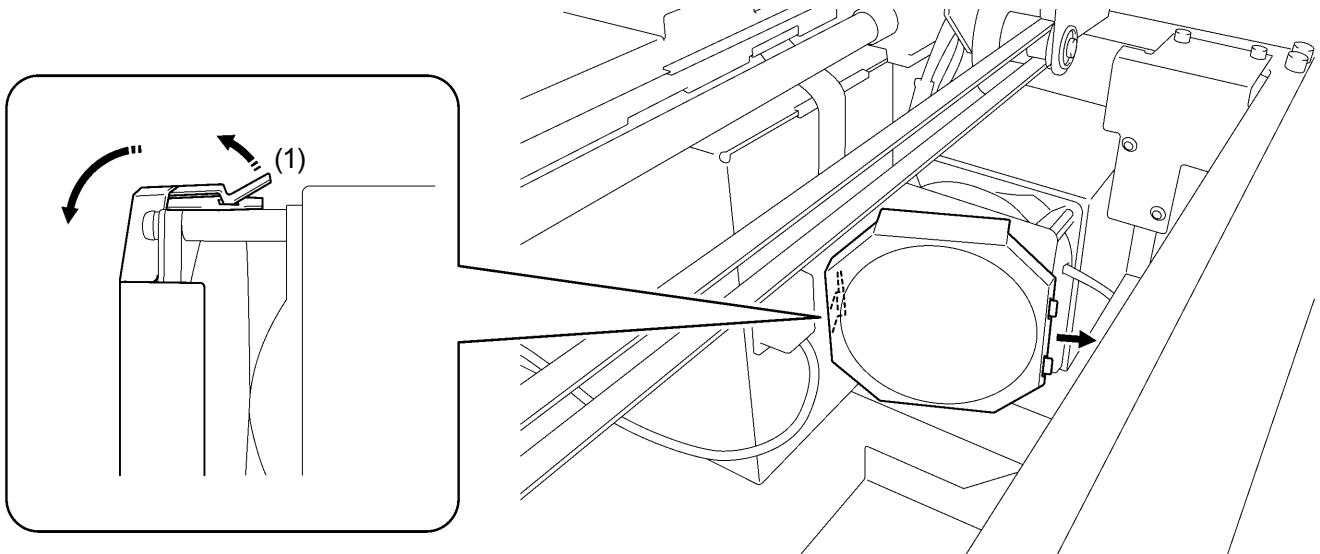
- *Keep clean the top edge of the Flushing Plate; if it is covered with dust and clogged ink, the Print Heads may touch the surface and mis-firing may occur.*
- *Dispose the used Waste Ink in accordance with your local regulations. Or make contact to your dealer.*



0067Y

5-2-4. Replacing the Fan Filter

- (1) Put the gloves on your both hands, and put your left hand from the space before the Timing Belt to reach the Filter Cover.
- (2) Lift up the Lock (1) of the Filter Cover with your left hand and move the Filter Cover to the opposite direction of the Fan and pull out the Filter Cover by removing the Guide Holes from the projections.

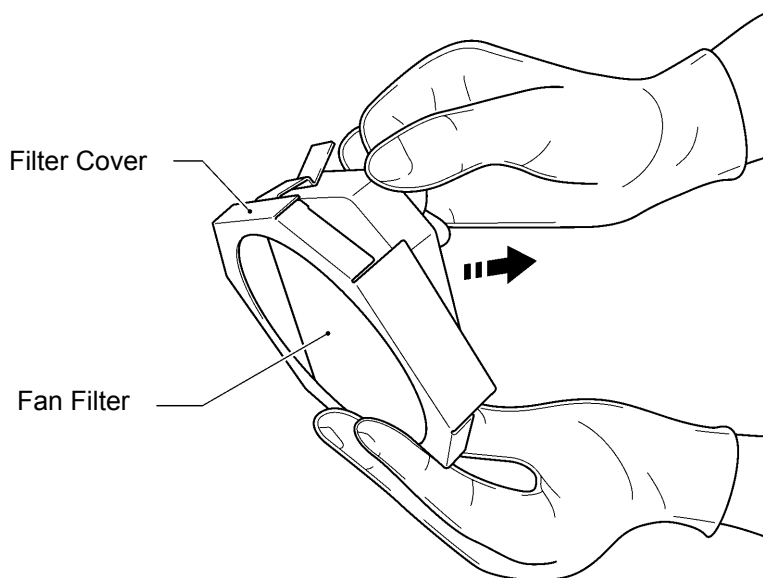


0068Y

<Note>

Pay attention not to hit the Filter Cover to the Timing Belt.

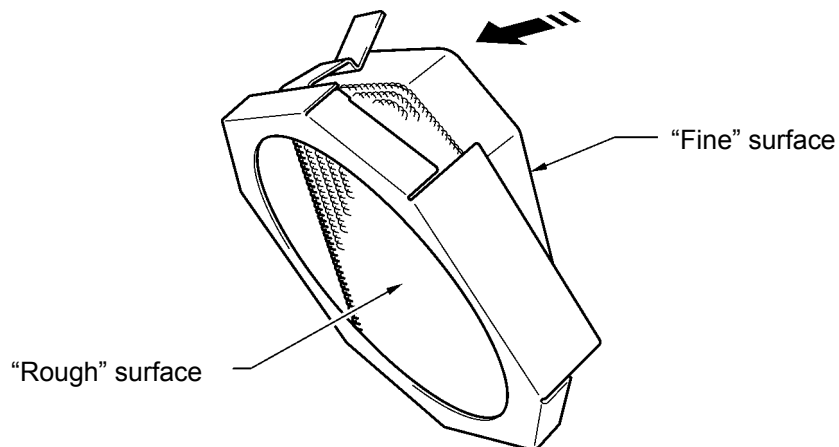
- (3) Pick up the edge of the used Fan Filter mounted in the Filter Cover, and remove the Fan Filter from the Filter Cover. Put it in the plastic bag and dispose of it in accordance with local regulations.



0069Y

5. Maintenance

- (4) Align the new Fan Filter to the shape of Filter Cover and mount it in by pushing by hand, with the "rough" surface to the outside and the "fine" surface to the Exhaust Fan.



0070Y

<Note>

Check the surface of the Fan Filter, the rough side faces to the Platen to catch mist, and the fine side faces to the Fan side.

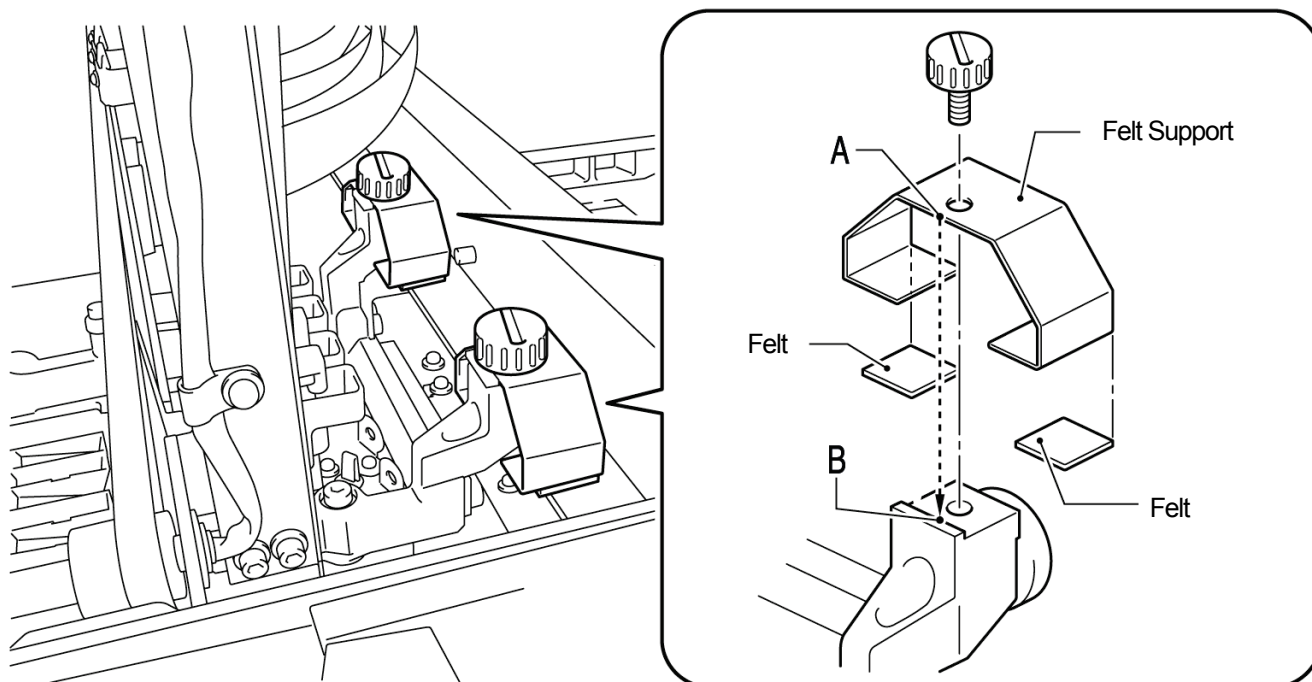
- (5) Move the Filter Cover from the front side of the Timing Belt, insert the Guide Holes to the projections and cover the Fan with the Filter Cover by pushing until the Lock hold the Fan.

<Note>

Check if the Fan Filter can fix properly by pulling out to the Platen side.

5-2-5. Replacing the Roller Felts

- (1) Unscrew two screws and remove the Felt Support.



0071Y

- (2) Remove the used Felt.
 (3) Apply the new Felt to the Felt Support. Pay attention not to give damage to the Felt Support.
 (4) Position the edge of the Felt Support "A" by putting the edge to the Carriage "B" and tighten the screw with a coin. After fixing, check if the Felt Support is aligned straight.

<Note>

Wipe off the ink mist on the surface where the Carriage Rollers move on, with a clean and soft cloth soaked with alcohol.

5-2-6. Replacing the Ink Cartridge

The ink indicator on the Display flashes when the Ink Cartridge is getting low. Prepare the new Ink Cartridge (option*), and replace it when "Empty XXXX (color)" is displayed. (* See "1-3-5. Consumable Requirements and Options" for part code.)

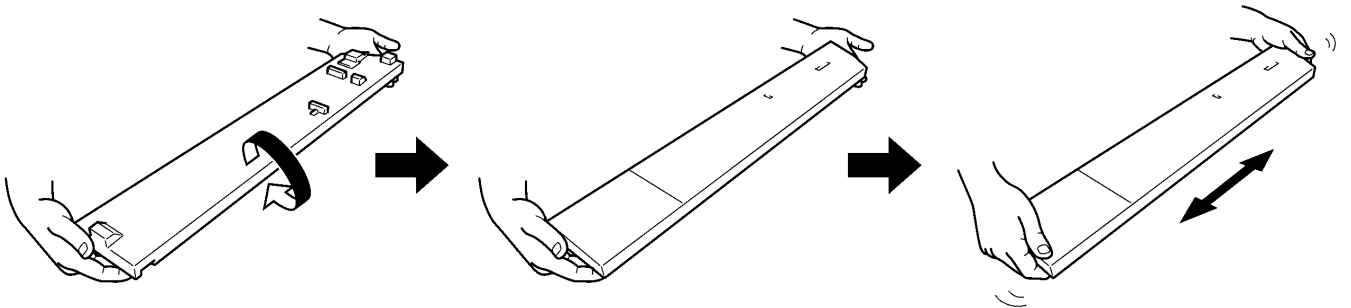
<Note>

- Use the Ink Cartridges described in "1-3-5. Consumable Requirements and Options".
- Be careful not to get ink on your hands or clothing. Wash with soap if stained with ink. You cannot wash away the stained ink on the material because the ink may be absorbed into the fiber.
- Do not replace cartridges while printing or head cleaning; is in operation it may cause damage to your printer.
- Do not disassemble the Ink Cartridge.
- Clean the Caps and Wipers, replace the Wiper Cleaners, Fan Filter, Roller Felts (4), Flushing Plate Sponge (top) and Flushing Plate Felt (bottom) every week and when replacing the Wiper Cleaners to maintain good print quality. Replace them when you see the warning indicated on the display too. Print quality may be reduced by insufficient cleaning, e.g. dirty printed materials, mis-firing. See "5-2-1. Replacing the Wiper Cleaner and Cleaning the Caps / Wipers", "5-2-3.Replacing Flushing Plate Sponge and Flushing Plate Felt", "5-2-4. Replacing the Fan Filter", "5-2-5. Replacing the Roller Felts" and "5-2-7. Cleaning the Encoder Strip".
- To keep the best print result, your printer will show empty status for the color cartridge that is empty. To keep print quality, a small amount of ink remains to avoid damage to your printer.

(1) Open the new Ink Cartridge.

<Note>

Pigments in the White Ink are sinking little by little all the time. Hold the cartridge with both hands, upside down from the mounted position, and shake it in 1-2 minutes so that the pigments inside can be mixed enough. Do it one by one.

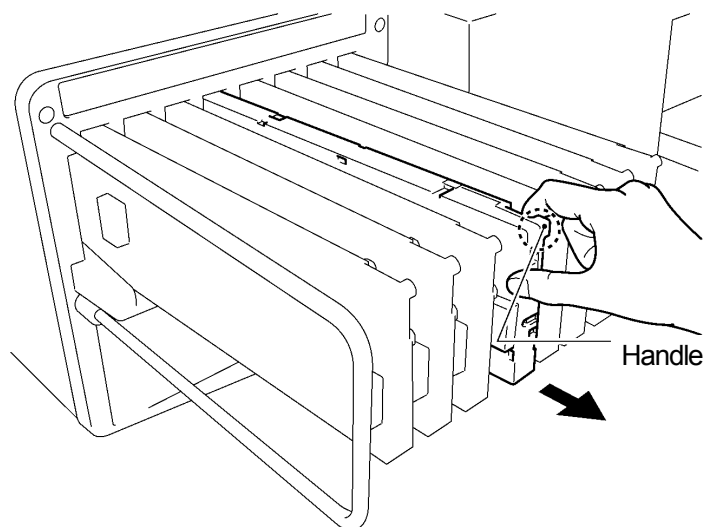


0054Y

- (2) Remove the used Ink Cartridge from the slot of the printer. Put your finger to the handle and pull out the Ink Cartridge.

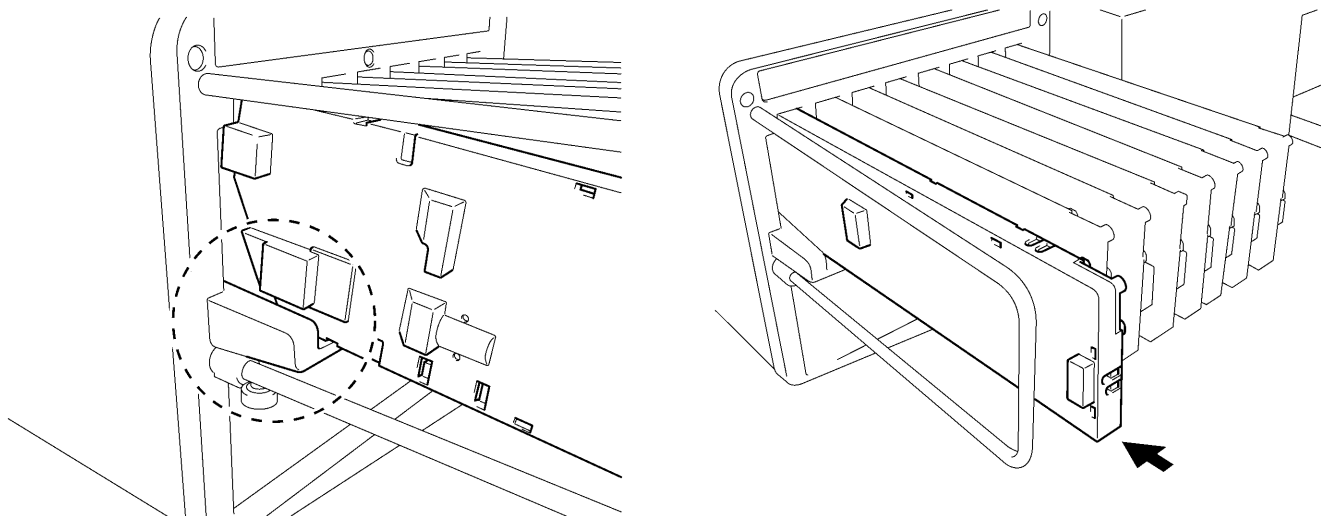
<Note>

Leave the used Ink Cartridge installed until just before the replacement. Leaving your printer with no Ink Cartridge installed may cause ink leakage or other serious damages.



0055Y

- (3) Confirm the direction and the color of the new Ink Cartridge and put the bottom edge on the base and slide it to the back of the slot.



0056Y.0057Y

<Note>

Confirm the color of the ink cartridge. Loading a wrong color causes serious damage to print quality, and could damage to the Print Heads. If you have installed a wrong color, immediately contact Brother or your dealer for a service call.

- (4) When replacing the White, Cyan or Magenta Ink Cartridge, clean the Caps and Wipers and replace the Wiper Cleaners with the ones packed together in the Carton according to our maintenance schedule to maintain good print quality. See "5-2-1." and the following pages. This is really important to keep your printer in good condition.

<Note>

- Do not repeat unnecessary uninstalling / installing the Ink Cartridge.
- Dispose the used Ink Cartridge in compliance with your local regulations.

5. Maintenance

5-2-7. Cleaning the Encoder Strip

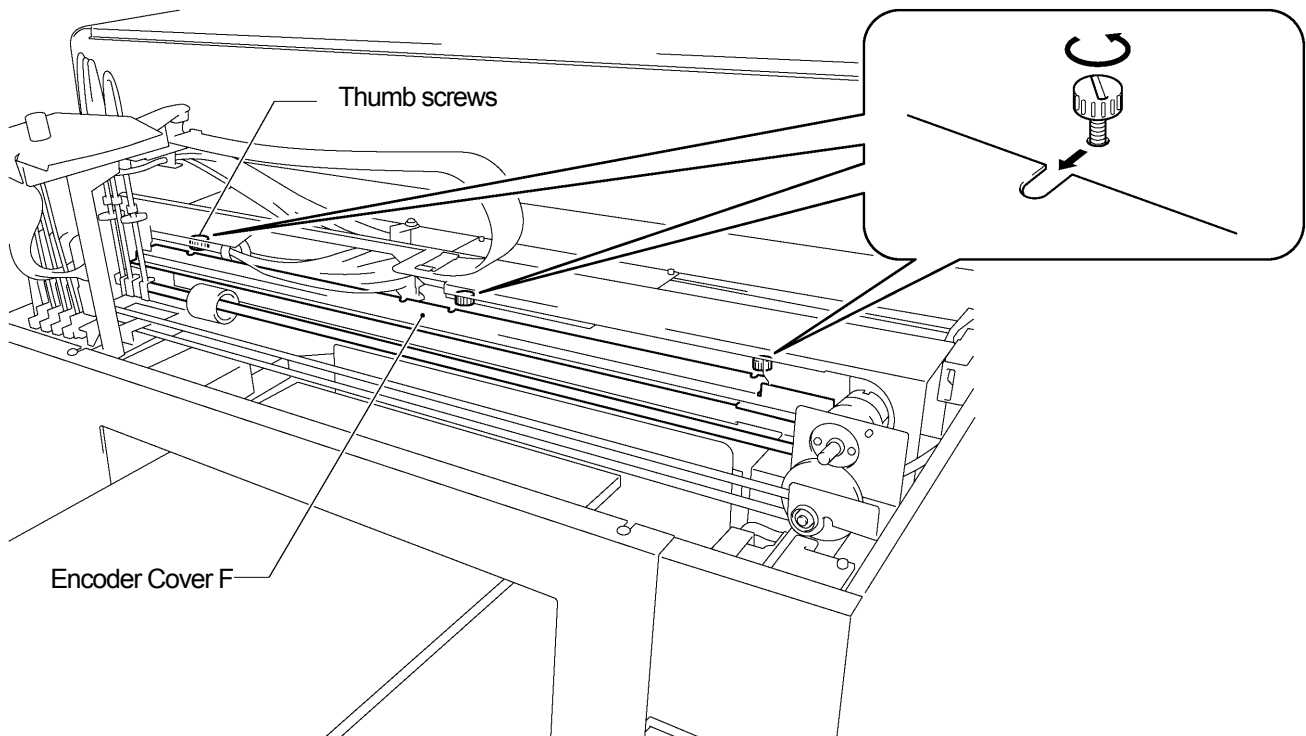
There must be some dust and mist covering the Encoder Strip to cause reading error when some error occurs during the printing operation. Clean the Encoder Strip with the attached tool.

- (1) Prepare the Encoder Cleaner and ethanol of 95% or higher purity.
- (2) Select [Maintenance] of the menu and press OK Button.
- (3) Select [CR Encoder Strip Cleaning] of the menu and press OK Button. The Platen will be loaded and the Caps move down. Follow the message and turn off the printer.
- (4) Open the Front Cover with both hands until it is locked with the stopper.
- (5) Move the Carriage slowly to the rightmost position by hand.

<Note>

Ink may stain the Platen and other places while moving the Carriage, the bottom surface may be wet and dirty with ink.

- (6) Loosen the three thumbscrews with a coin as shown below.



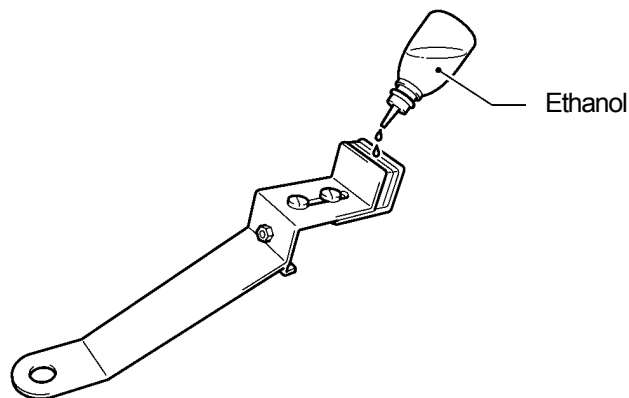
0937D

- (7) Hold the Encoder Cover F with both hands and lift it up by pulling out to your side. Remove the Encoder Cover F from the printer.

<Note>

Pay attention not to give damage to the Carriage Guide Shaft. Tubes, Harnesses of solenoids and Carriage Motor. Keep the Encoder Cover F in a flat position.

- (8) Apply ethanol to the Felt fully, app. 2 ml, of the Encoder Cleaner.

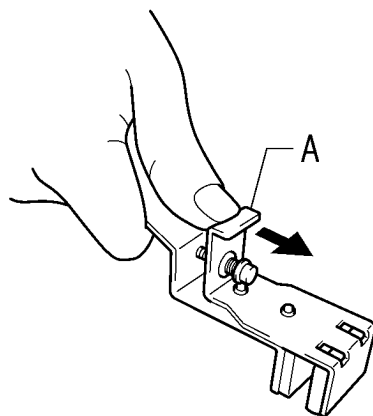


0073Y

<Note>

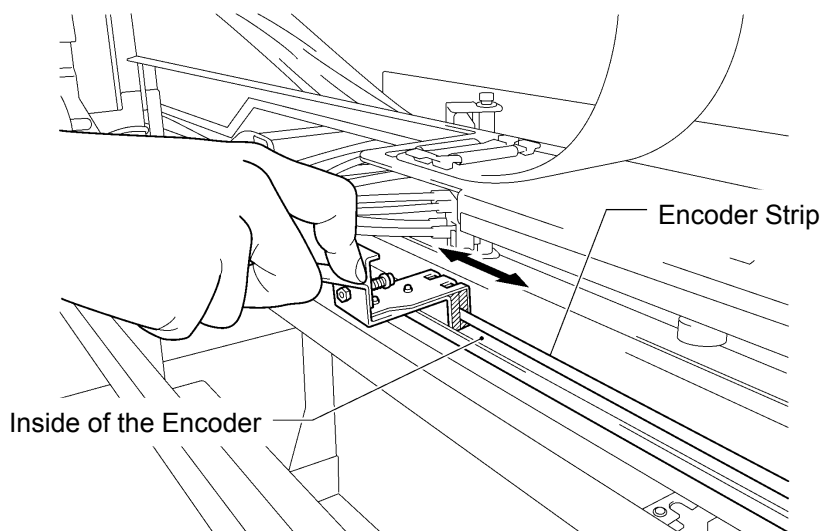
Use ethanol of 95% or higher purity.

- (9) Push the position [A] shown below with your finger to give space between the felts.



0074Y

- (10) Put the Encoder to the Encoder Strip so that the Encoder Strip should run between the felts straightly, and the bottom part of the felt should touch the inside of the Encoder Cover. The felts catch the Encoder Strip when you release your finger.



0075Y

- (11) Wipe the Encoder Cleaner two or three times from the leftmost position to the right. After wiping, push the position [A] of the Encoder Cleaner to release it from the Encoder Strip.

<Note>

Keep the level of the Encoder Cleaner in wiping.

5. Maintenance

(12) Move the Carriage slowly to the leftmost position by hand.

<Note>

Ink may stain the Platen and other places while moving the Carriage, the bottom surface may be wet and dirty with ink.

(13) Wipe the Encoder Cleaner two or three times from the rightmost position to the left, by following the former steps (10) and (11), where the Encoder Cleaner did not reach in step 11.

(14) After wiping, push the position [A] of the Encoder Cleaner to release it from the Encoder Strip.

(15) Again, move the Carriage to the rightmost position by hand.

<Note>

Ink may stain the Platen and other places while moving the Carriage, the bottom surface may be wet and dirty with ink.

(16) Hold the Encoder Cover F with both hands, avoid the Tubes and insert it to the notch holes on the printer, align the screw positions to the U flutes on the Encoder Cover F and slide it to the back end horizontally. Make sure that the projection on the printer should fit the holes on the Encoder Cover F.

(17) Tighten the three thumbscrews.

<Note>

Confirm the Encoder Cover F should lock properly by pulling slightly to your side.

(18) Push the Stop Lever to release the lock when you close the Front Cover with both hands. Watch your fingers not caught in the Front Cover. Turn ON the printer. The cleaning is success when the initialization of the printer is done with no errors indicated.

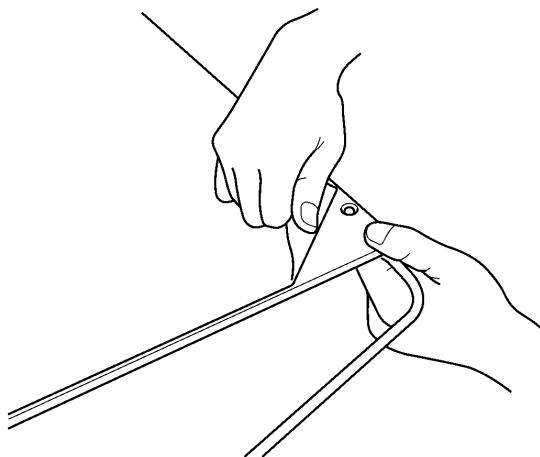
5-2-8. Replacing the Platen Sheet

The Platen Sheet becomes dirty as it is used. Replace the sheet with a new one as needed to prevent the printed fabric from becoming dirty.

<Note>

In the [Useful Tools] of [Brother GT-3 Tools] in the PC's [All Programs], there are Grid print data. Print the Grid that fits the Platen size. See "3-3-9. Opening the Useful Tools".

- (1) Press the Platen button to eject the Platen.
- (2) Slowly peel off the Platen Sheet and Double-stick Tape from the Platen. If the Platen Sheet sticks, remove the Platen from the printer to work on it.

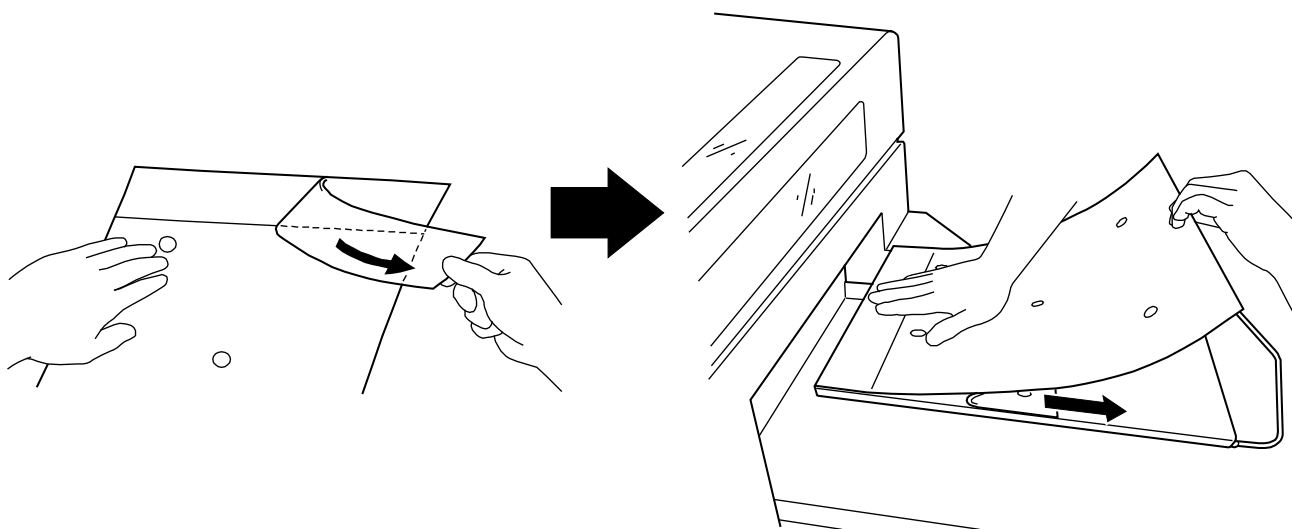


0077Y

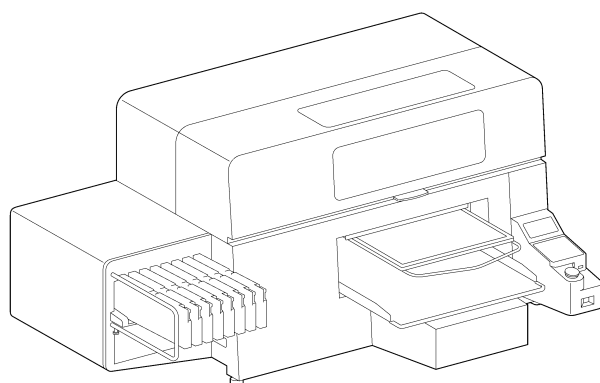
- (3) Clean the Platen surface with a soft cloth dipped in diluted detergent. Afterwards, wipe it with a soft dry cloth. If the Platen is very dirty, clean it after removing it from the printer.
- (4) After the Platen surface becomes completely dry, apply a new Platen Sheet to the Platen. Since there is a slit on the release papers on the rear side of the Platen Sheet, peel off a portion of the release paper. While paying attention so that the adhesive surface does not contact the Platen, position the Platen Sheet and then apply the Sheet to the inmost of the Platen. Afterwards, continue to apply it by peeling off the release paper little by little.

<Note>

When applying the Platen Sheet to the Platen, be careful to avoid wrinkles in the Sheet, and keep it straight.



0078Y



Basic Operation Manual

* Please note that the contents of this manual may differ slightly from the actual product purchased as a result of product improvements.

BROTHER INDUSTRIES, LTD. <http://www.brother.com/>
1-5, Kitajizoyama, Noda-cho, Kariya 448-0803, Japan.

© 2013, 2015 Brother Industries, Ltd. All Rights Reserved.
This is the original instructions.

GT-3 Series
SB2746-201 E
2015.02. F (4)